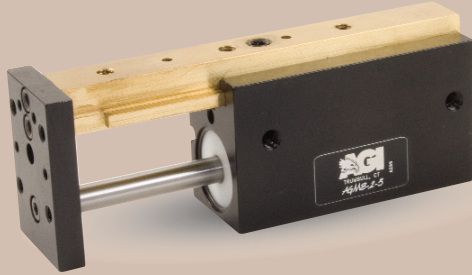




AGMS-2-3 Mini Powered Slide

Built-In Air Cylinder



FEATURES AND BENEFITS

- T-Slot bearing support for the carriage and end plate offers superior load bearing performance throughout the stroke.
- Standard built-in stroke adjustment and stroke lock for precise, repetitive operation.
- Compact, lightweight unit with built-in cylinder.
- Piston seals are U-CUP type for long service life.
- Hall Effect sensors are available to monitor stroke position.
- Multiple mounting surfaces on the body and endplate with threaded and counterbored holes for easy mounting choices.

SPECIFICATIONS

Design: Built-in air cylinder
T-slot slide

Stroke: 1.5 in [38.1 mm]

Thrust Force @ 80 PSI [5.5 BAR]

Extended: 35 lbs [155 N]
Retract: 33 lbs [146 N]

Recommended Speed: 2-12 in/sec [0.5-.3m/sec]

Pressure Range: Low/High 20-120 PSI [1.4-8 BAR]

Temperature Range: Low/High -20°/150°F [-28°/80°C]

Side Play: ± 0.001 [.03 mm]

Maximum Payload: 24 lbs [10.8 kg]

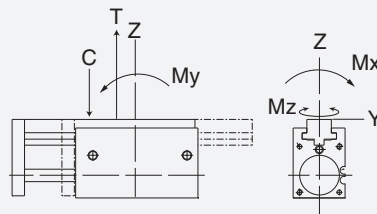
Material: High Strength, Aluminum Alloys, Bronze

Weight: 6.8 oz [193 g]

Piston Diameter: .750 in [19 mm]

January 2009 - PATENTED Made in the USA

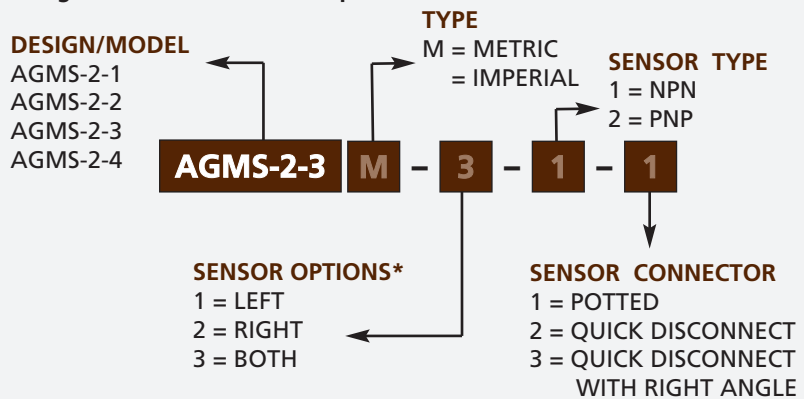
MAXIMUM FORCES & MOMENTS



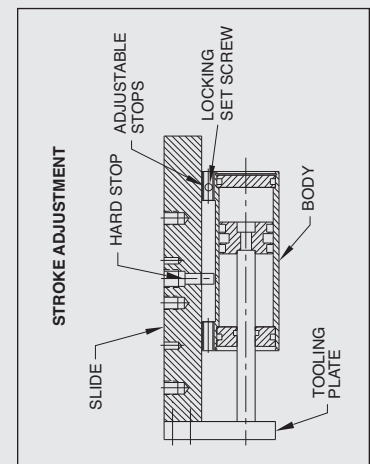
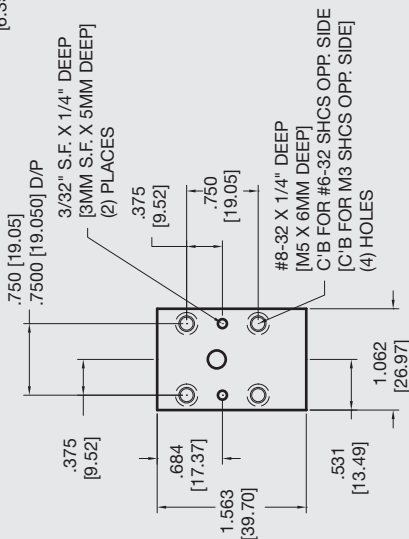
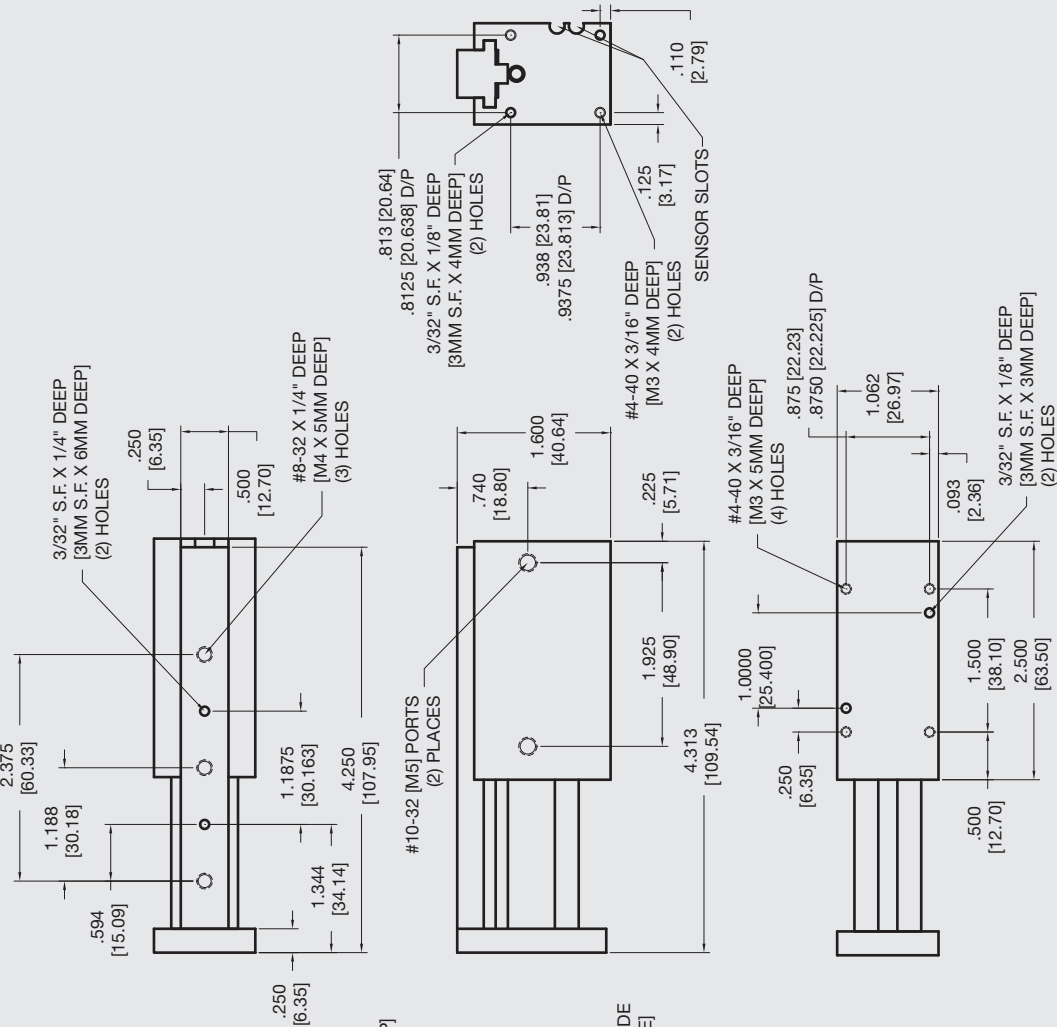
	Static	Dynamic
Max Tensile T	180 lbs [800 N]	77 lbs [342 N]
Max Compressive C	180 lbs [800 N]	77 lbs [342 N]
Max Moment M_x	70 in/lb [8 Nm]	34 in/lb [3.8 Nm]
Max Moment M_y	70 in/lb [8 Nm]	34 in/lb [3.8 Nm]
Max Moment M_z	70 in/lb [8 Nm]	34 in/lb [3.8 Nm]

HOW TO ORDER

When ordering, please specify:
Design/Model Number and Options.



* NOTE: Hall Effect sensors are hard wired with 20" pigtail.
Sensor Part # SHN01, SHP01, SHNQ3, SHPQ3



Unless noted, all tolerances are as indicated here:



All Dowel Holes are SF (Slip Fit) Locational Tolerance ± .0005" [0.13mm]



Metric Threads Course Pitch

Imperial:
Inch 0.00 = ±.01
0.000 = ±.005
0.0000 = ±.0005

Metric: [0.] = ±.25
[0.0] = ±.13
[0.00] = ±.013