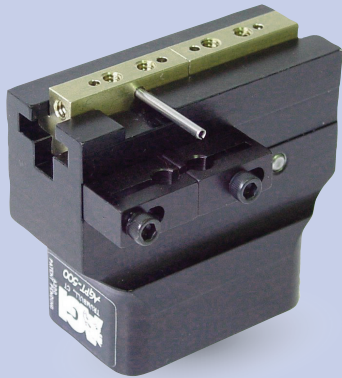




AGPT-500 Parallel Gripper

T-Slot Bearing Series



FEATURES AND BENEFITS

- Jaws are T-Slot bearing supported to prevent jaw breakage and offer superior load bearing performance.
- High gripping force to weight ratio.
- True parallel jaw motion for easy tooling.
- Units are permanently lubricated for non-lube air operation, allowing for compliance with OSHA regulations.
- Proximity switches are available to monitor open and closed position of the jaws.
- AGPT is fully field repairable for cost savings and minimum down time.
- Linkage is guided in the body for precise center repeatability.

SPECIFICATIONS

Design: Parallel, Double Acting, Synchronized Jaws

Stroke: 0.50 in [12.7 mm]

Gripping Force Per Jaw @ 80 PSI [5.5 BAR]

Closing: 10 PSI [44 N]

Opening: 12 PSI [53 N]

Time:

Close: 0.12 sec [0.12 sec]

Open: 0.12 sec [0.12 sec]

Pressure Range:

Low/High 10-120 PSI [7-8 BAR]

Temperature Range:

Low/High -20°/180°F [-28°/80°C]

Side Play: ± 0.001 [.03 mm]

Repeatability from Center: ± 0.002 [.06 mm]

Loading Capacity:

	Static	Dynamic
Max Tensile T	50 lbs [222 N]	15 lbs [66.7 N]
Max Compressive C	50 lbs [222 N]	15 lbs [66.7 N]

Max Moment M_x 50 in/lb [5.6 Nm] 12 in/lb [1.3 Nm]

Max Moment M_y 60 in/lb [6.7 Nm] 15 in/lb [1.7 Nm]

Max Moment M_z 50 in/lb [5.6 Nm] 12 in/lb [1.3 Nm]

Max Moment M_z 50 in/lb [5.6 Nm] 12 in/lb [1.3 Nm]

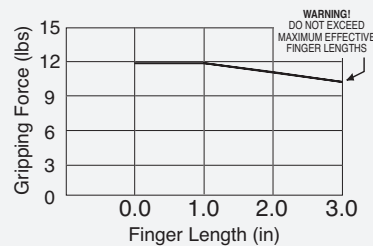
Material: High Strength, Hard Coated aluminum bronze alloys, Steel

Weight: 5 oz [142 g]

Piston Diameter: 0.625 in [15.8 mm]

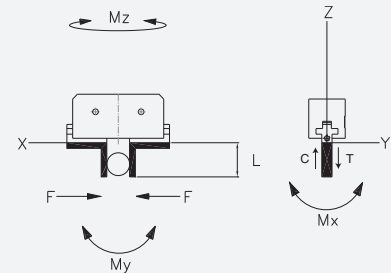
January 2009 - PATENTED Made in the USA

HOLDING FORCES CHART



WARNING! Do not exceed tooling jaw length. See Chart above.

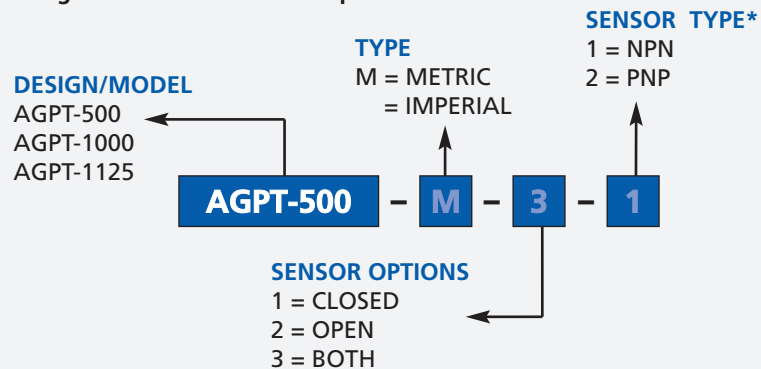
LOADING INFORMATION



LOOK! More Technical specifications for sensors on "Sensors Accessories" page.

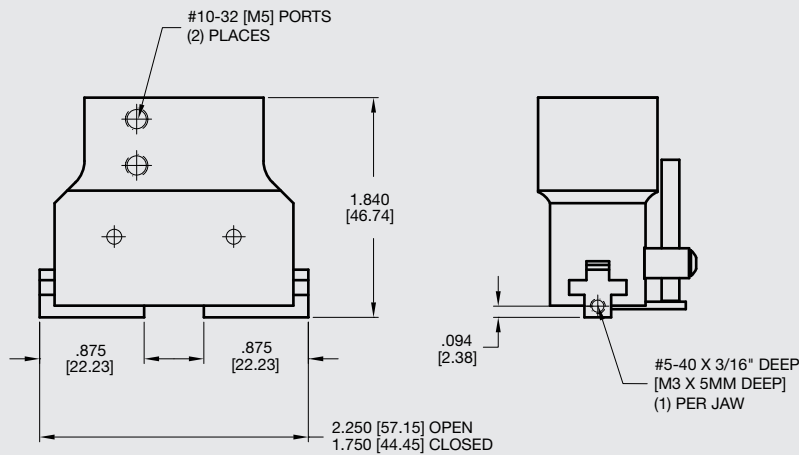
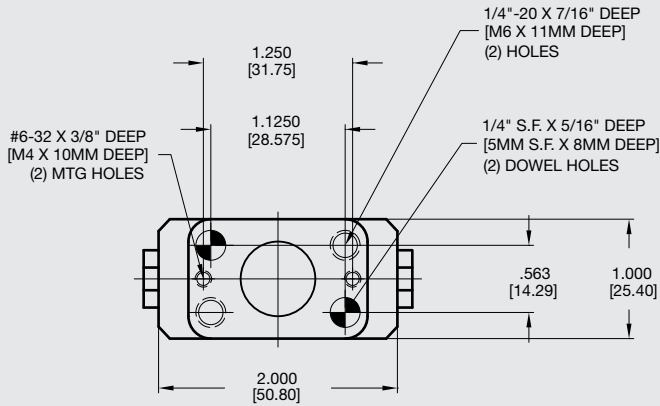
HOW TO ORDER

When ordering, please specify: Design/Model Number and Options.

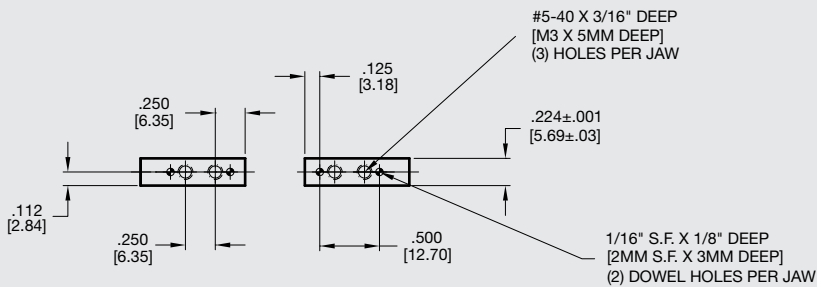
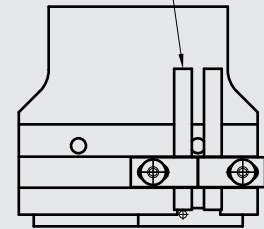


* NOTE: Proximity 4mm dia., 5-24 VDC, 22 mA and comes with 2 meter cable.

Sensor Part # SNC04, SPC04



SENSORS (OPTIONAL)



Unless noted, all tolerances are as indicated here:



All Dowel Holes are SF (Slip Fit) Locational Tolerance ± .0005" [0.013mm]



Metric Threads Course Pitch

Imperial: Inch

0.00 = ±.01
0.000 = ±.005
0.0000 = ±.0005

Metric: [0.] = ±.25
[0.0] = ±.13
[0.00] = ±.013