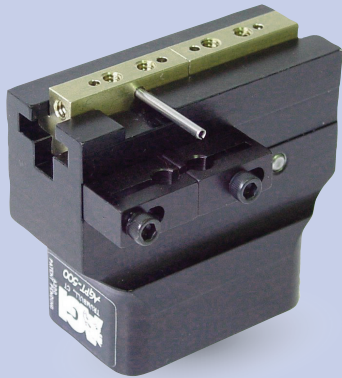


# AGPT-500 Parallel Gripper

## T-Slot Bearing Series



### FEATURES AND BENEFITS

- Jaws are T-Slot bearing supported to prevent jaw breakage and offer superior load bearing performance.
- High gripping force to weight ratio.
- True parallel jaw motion for easy tooling.
- Units are permanently lubricated for non-lube air operation, allowing for compliance with OSHA regulations.
- Proximity switches are available to monitor open and closed position of the jaws.
- AGPT is fully field repairable for cost savings and minimum down time.
- Linkage is guided in the body for precise center repeatability.

### SPECIFICATIONS

**Design:** Parallel, Double Acting, Synchronized Jaws

**Stroke:** 0.50 in [12.7 mm]

**Gripping Force Per Jaw @ 80 PSI [5.5 BAR]**

Closing: 10 PSI [44 N]

Opening: 12 PSI [53 N]

**Time:**

Close: 0.12 sec [0.12 sec]

Open: 0.12 sec [0.12 sec]

**Pressure Range:**

Low/High 10-120 PSI [7-8 BAR]

**Temperature Range:**

Low/High -20°/180°F [-28°/80°C]

**Side Play:** ± 0.001 [.03 mm]

**Repeatability from Center:** ± 0.002 [.06 mm]

**Loading Capacity:**

	Static	Dynamic
Max Tensile T	50 lbs [222 N]	15 lbs [66.7 N]
Max Compressive C	50 lbs [222 N]	15 lbs [66.7 N]

Max Moment  $M_x$  50 in/lb [5.6 Nm] 12 in/lb [1.3 Nm]

Max Moment  $M_y$  60 in/lb [6.7 Nm] 15 in/lb [1.7 Nm]

Max Moment  $M_z$  50 in/lb [5.6 Nm] 12 in/lb [1.3 Nm]

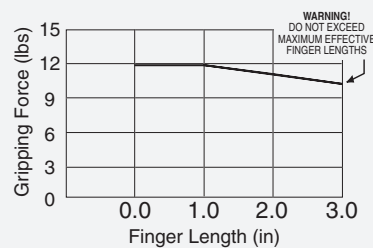
**Material:** High Strength, Hard Coated aluminum bronze alloys, Steel

**Weight:** 5 oz [142 g]

**Piston Diameter:** 0.625 in [15.8 mm]

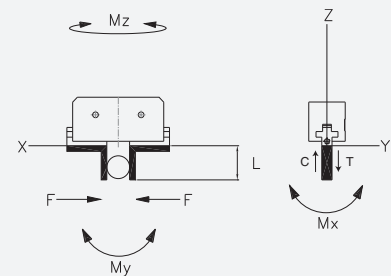
January 2009 - PATENTED Made in the USA

### HOLDING FORCES CHART



**WARNING!** Do not exceed tooling jaw length. See Chart above.

### LOADING INFORMATION



**LOOK!** More Technical specifications for sensors on "Sensors Accessories" page.

### HOW TO ORDER

When ordering, please specify: Design/Model Number and Options.

#### DESIGN/MODEL

AGPT-500  
AGPT-1000  
AGPT-1125

#### METRIC

#### SENSOR TYPE\*

1 = NPN  
2 = PNP

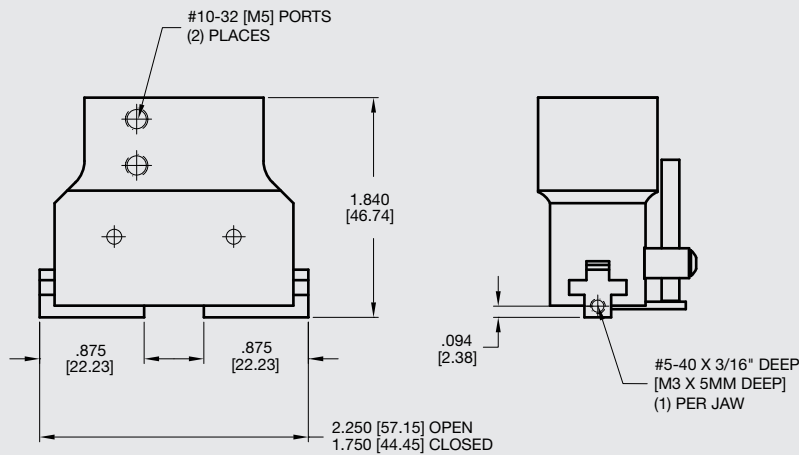
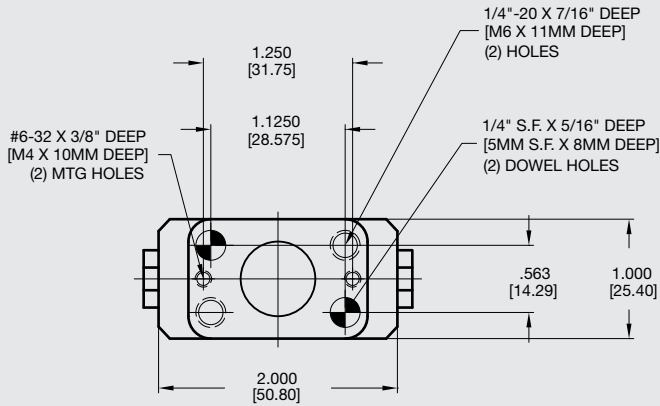
**AGPT-500 - M - 3 - 1**

#### SENSOR OPTIONS

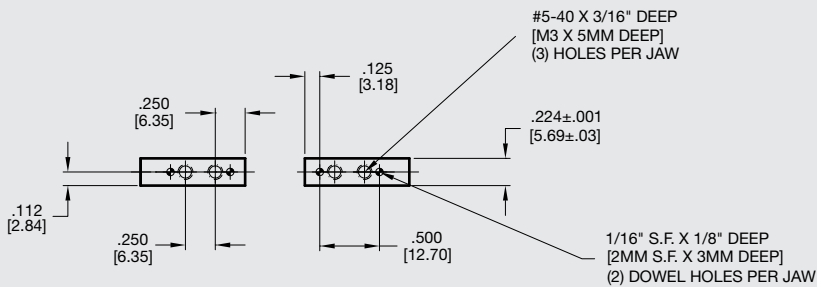
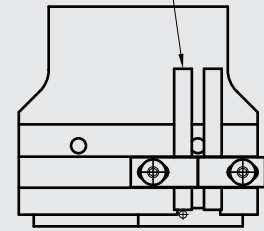
1 = CLOSED  
2 = OPEN  
3 = BOTH

\* NOTE: Proximity 4mm dia., 5-24 VDC, 22 mA and comes with 2 meter cable.

Sensor Part # SNC04, SPC04



SENSORS (OPTIONAL)



**Unless noted, all tolerances are as indicated here:**



All Dowel Holes are SF (Slip Fit) Locational Tolerance ± .0005" [0.013mm]



Metric Threads Course Pitch

**Imperial:**  
Inch 0.00 = ±.01  
0.000 = ±.005  
0.0000 = ±.0005

**Metric:** [0.] = ±.25  
[mm] [0.0] = ±.13  
[0.00] = ±.013