



# AGM Gripper & Rotary Modules

## Rotary Manifold, Ultra Low Profile, Zero Backlash Units



### ADVANCED FEATURES AND BENEFITS

- Internal Porting of Motion Module thru a rotary manifold.
- This prevents airlines from twisting, rubbing and sagging outside the unit.
- The rotary manifold connects the gripper and rotary actuator.
- This yields a versatile automation module system for assembly.

### PRODUCT DETAILS:

Multi-Motion Actuators provide linear and rotary motion from one unit. The grip-and-turn motions are independent from one another, making it easy to sequence the two motions. The Multi Motion Module yields a versatile automation module for part pick and place applications and orientation operations. Internal porting prevents airlines from twisting, snagging, and breaking outside the unit.

### MODULE COMBINATIONS:

Rotary	+	Gripper	=	Part #	Rotary	+	Gripper	=	Part #
AGR-1-90	+	AGP-250	=	<b>AGM-1</b>	AGR-4-180	+	AGW-500-2	=	<b>AGM-38</b>
AGR-1-180	+	AGP-250	=	<b>AGM-2</b>	AGR-5-90	+	AGW-500-4	=	<b>AGM-39</b>
AGR-2-90	+	AGP-250	=	<b>AGM-3</b>	AGR-5-180	+	AGW-500-4	=	<b>AGM-40</b>
AGR-2-180	+	AGP-250	=	<b>AGM-4</b>	AGR-5-90	+	AGW-625-2	=	<b>AGM-41</b>
AGR-2-90	+	AGP-375	=	<b>AGM-5</b>	AGR-5-180	+	AGW-625-2	=	<b>AGM-42</b>
AGR-2-180	+	AGP-375	=	<b>AGM-6</b>	AGR-5-90	+	AGW-625-4	=	<b>AGM-43</b>
AGR-2-90	+	AGP-500	=	<b>AGM-7</b>	AGR-5-180	+	AGW-625-4	=	<b>AGM-44</b>
AGR-2-180	+	AGP-500	=	<b>AGM-8</b>	AGR-5-90	+	AGW-625-6	=	<b>AGM-45</b>
AGR-2-90	+	AGW-250	=	<b>AGM-9</b>	AGR-5-180	+	AGW-625-6	=	<b>AGM-46</b>
AGR-2-180	+	AGW-250	=	<b>AGM-10</b>	AGR-1-90	+	AGLP-1	=	<b>AGM-61</b>
AGR-3-90-M	+	AGW-375-1	=	<b>AGM-11</b>	AGR-1-180	+	AGLP-1	=	<b>AGM-62</b>
AGR-3-180-M	+	AGW-375-1	=	<b>AGM-12</b>	AGR-1-90	+	AGLP-2	=	<b>AGM-63</b>
AGR-3-90-M	+	AGW-375-2	=	<b>AGM-13</b>	AGR-1-180	+	AGLP-2	=	<b>AGM-64</b>
AGR-3-180-M	+	AGW-375-2	=	<b>AGM-14</b>	AGR-1-90	+	AGLP-3	=	<b>AGM-65</b>
AGR-3-90-M	+	AGW-375-4	=	<b>AGM-15</b>	AGR-1-180	+	AGLP-3	=	<b>AGM-66</b>
AGR-3-180-M	+	AGW-375-4	=	<b>AGM-16</b>	AGR-1-90	+	AGLP-4	=	<b>AGM-67</b>
AGR-1-90	+	AGA-20	=	<b>AGM-17</b>	AGR-1-180	+	AGLP-4	=	<b>AGM-68</b>
AGR-1-180	+	AGA-20	=	<b>AGM-18</b>	AGR-2-90	+	AGLP-1	=	<b>AGM-69</b>
AGR-2-90	+	AGA-20	=	<b>AGM-19</b>	AGR-2-180	+	AGLP-1	=	<b>AGM-70</b>
AGR-2-180	+	AGA-20	=	<b>AGM-20</b>	AGR-2-90	+	AGLP-2	=	<b>AGM-71</b>
AGR-3-90	+	AGA-30	=	<b>AGM-21</b>	AGR-2-180	+	AGLP-2	=	<b>AGM-72</b>
AGR-3-180	+	AGA-30	=	<b>AGM-22</b>	AGR-2-90	+	AGLP-3	=	<b>AGM-73</b>
AGR-4-90	+	AGA-40	=	<b>AGM-23</b>	AGR-2-180	+	AGLP-3	=	<b>AGM-74</b>
AGR-4-180	+	AGA-40	=	<b>AGM-24</b>	AGR-2-90	+	AGLP-4	=	<b>AGM-75</b>
AGR-5-90	+	AGA-50	=	<b>AGM-25</b>	AGR-2-180	+	AGLP-4	=	<b>AGM-76</b>
AGR-5-180	+	AGA-50	=	<b>AGM-26</b>	AGR-1-90	+	AGPT-500	=	<b>AGM-77</b>
AGR-2-90	+	AGP-23	=	<b>AGM-27</b>	AGR-1-180	+	AGPT-500	=	<b>AGM-78</b>
AGR-2-180	+	AGP-23	=	<b>AGM-28</b>	AGR-2-90	+	AGPT-500	=	<b>AGM-79</b>
AGR-3-90	+	AGP-43	=	<b>AGM-29</b>	AGR-2-180	+	AGPT-500	=	<b>AGM-80</b>
AGR-3-180	+	AGP-43	=	<b>AGM-30</b>	AGR-2-90	+	AGPT-1000	=	<b>AGM-81</b>
AGR-4-90	+	AGP-63	=	<b>AGM-31</b>	AGR-2-180	+	AGPT-1000	=	<b>AGM-82</b>
AGR-4-180	+	AGP-63	=	<b>AGM-32</b>	AGR-3-90	+	AGPT-1000	=	<b>AGM-83</b>
AGR-5-90	+	AGP-83	=	<b>AGM-33</b>	AGR-3-180	+	AGPT-1000	=	<b>AGM-84</b>
AGR-5-180	+	AGP-83	=	<b>AGM-34</b>	AGR-3-90	+	AGPT-1125	=	<b>AGM-85</b>
AGR-4-90	+	AGW-500-1	=	<b>AGM-35</b>	AGR-3-180	+	AGPT-1125	=	<b>AGM-86</b>
AGR-4-180	+	AGW-500-1	=	<b>AGM-36</b>	AGR-5-90	+	AGA-60	=	<b>AGM-87</b>
AGR-4-90	+	AGW-500-2	=	<b>AGM-37</b>	AGR-5-180	+	AGA-60	=	<b>AGM-88</b>

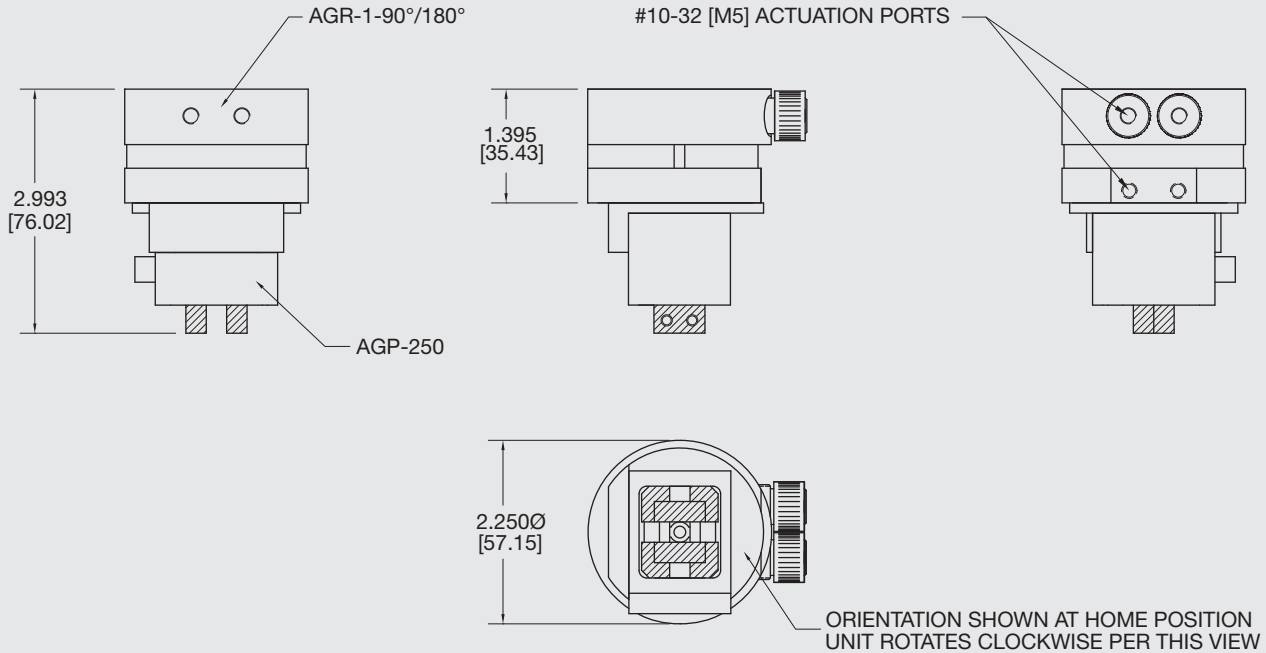
# AGM-1/AGM-2 Module

## Light Duty 12 oz. Payload

### MODULE CALLOUTS

AGM-1 = AGR-1-90° + AGP-250

AGM-2 = AGR-1-180° + AGP-250



### QUICK TECHNICALS

#### Payload Capacity of

Rotary Assembly: = (1) AGP-250 Gripper + 12 oz.

**Gripper:** AGP-250  
**Stroke:** 0.250 in.  
**Closing/Opening:** 20/22 lbs/in<sup>2</sup>  
**Piston Bore:** 1.000 in.  
  
**Rotary:** AGR-1  
**Degree of Rotation:** 90°/180°  
**Piston Bore:** (2) x 0.500 in.

**Assembly Weight**  
**w/o Payload:** 12 oz.

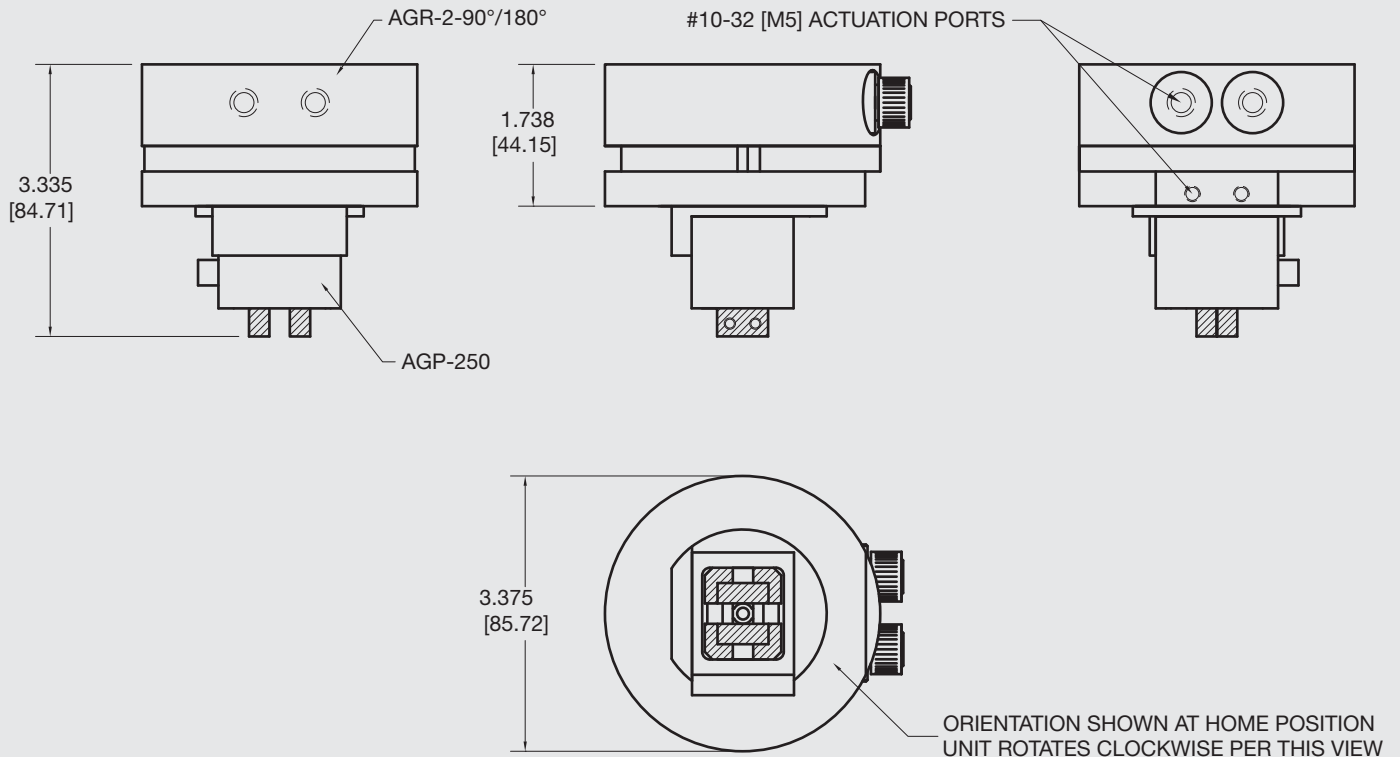


Refer to catalog for individual product specifications

### MODULE CALLOUTS

AGM-3 = AGR-2-90° + AGP-250

AGM-4 = AGR-2-180° + AGP-250



### QUICK TECHNICALS

**Payload Capacity of Rotary Assembly:** = (1) AGP-250 Gripper + 44 oz.

**Gripper:** AGP-250  
**Stroke:** 0.250 in.  
**Closing/Opening:** 20/22 lbs/in<sup>2</sup>  
**Piston Bore:** 1.000 in.

**Rotary:** AGR-2  
**Degree of Rotation:** 90°/180°  
**Piston Bore:** (2) x 0.750 in.

**Assembly Weight w/o Payload:** 22 oz.



Refer to catalog for individual product specifications

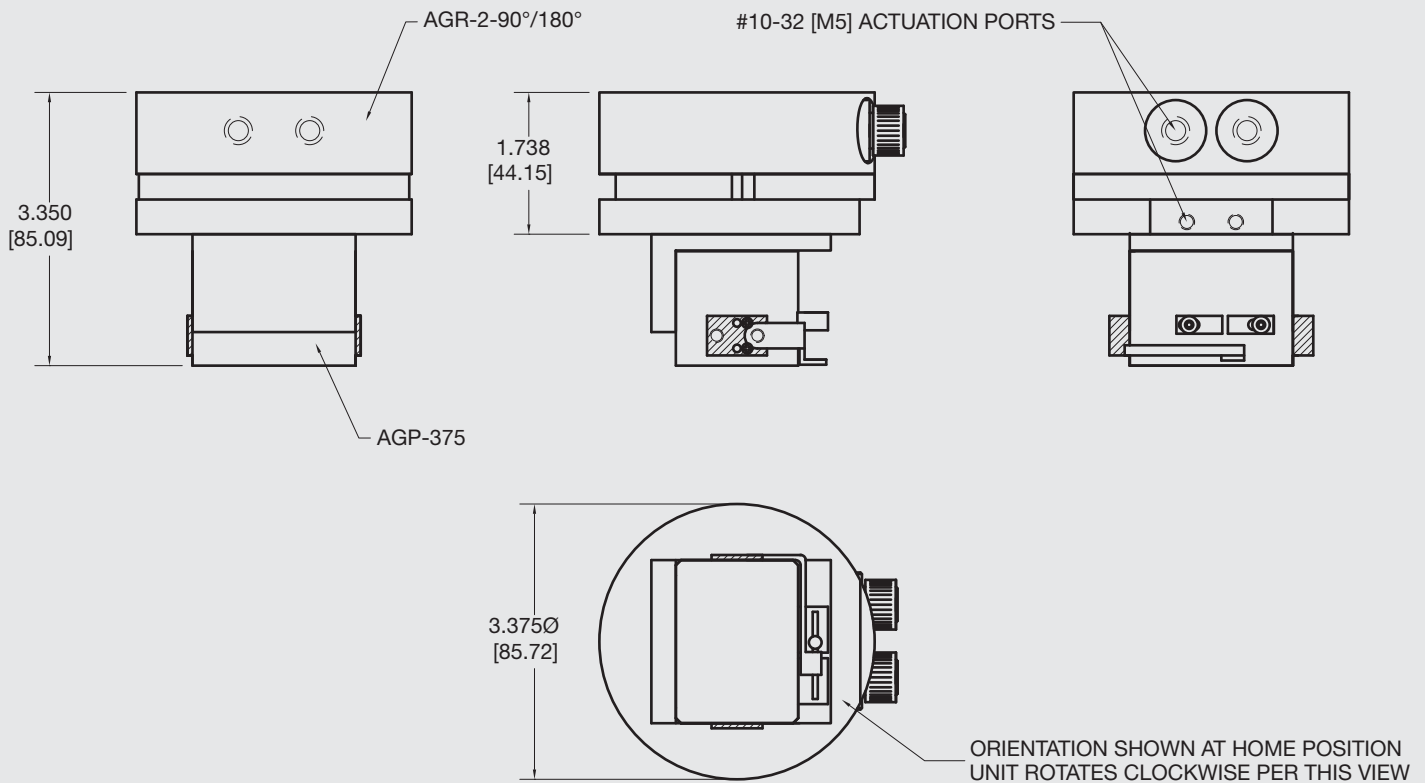
# AGM-5/AGM-6 Module

## Light Duty 41 oz. Payload

### MODULE CALLOUTS

AGM-5 = AGR-2-90° + AGP-375

AGM-6 = AGR-2-180° + AGP-375



### QUICK TECHNICALS

**Payload Capacity of Rotary Assembly:** = (1) AGP-375 Gripper + 41 oz.

**Gripper:** AGP-375  
**Stroke:** 0.250 in.  
**Closing/Opening:** 20/22 lbs/in<sup>2</sup>  
**Piston Bore:** 1.000 in.

**Rotary:** AGR-2  
**Degree of Rotation:** 90°/180°  
**Piston Bore:** (2) x 0.750 in.

**Assembly Weight w/o Payload:** 26 oz.

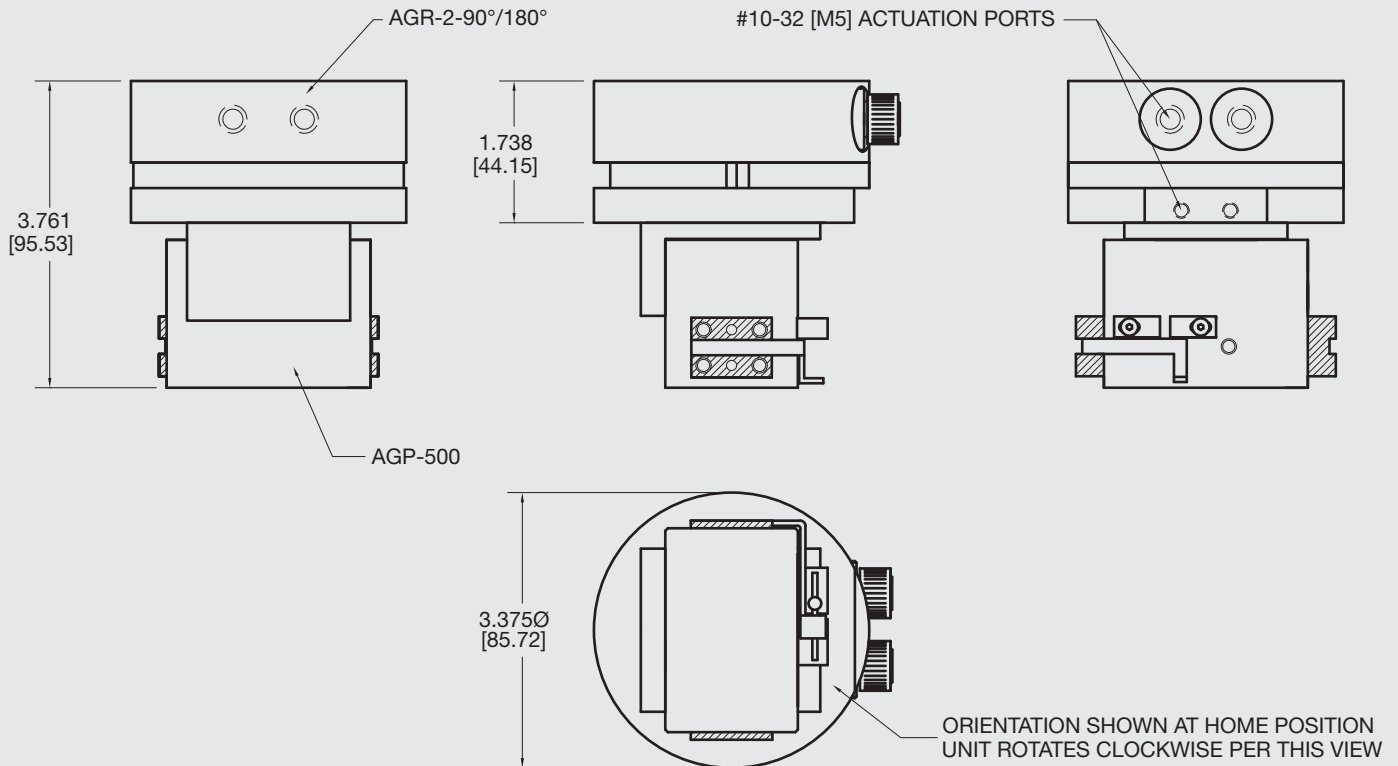


Refer to catalog for individual product specifications

### MODULE CALLOUTS

AGM-7 = AGR-2-90° + AGP-500

AGM-8 = AGR-2-180° + AGP-500



### QUICK TECHNICALS

**Payload Capacity of Rotary Assembly:** = (1) AGP-500 Gripper + 37 oz.

**Gripper:** AGP-500

**Stroke:** 0.250 in.

**Closing/Opening:** 37/40 lbs/in<sup>2</sup>

**Piston Bore:** 1.250 in.

**Rotary:** AGR-2

**Degree of Rotation:** 90°/180°

**Piston Bore:** (2) x 0.750 in.

**Assembly Weight w/o Payload:** 60 oz.



Refer to catalog for individual product specifications

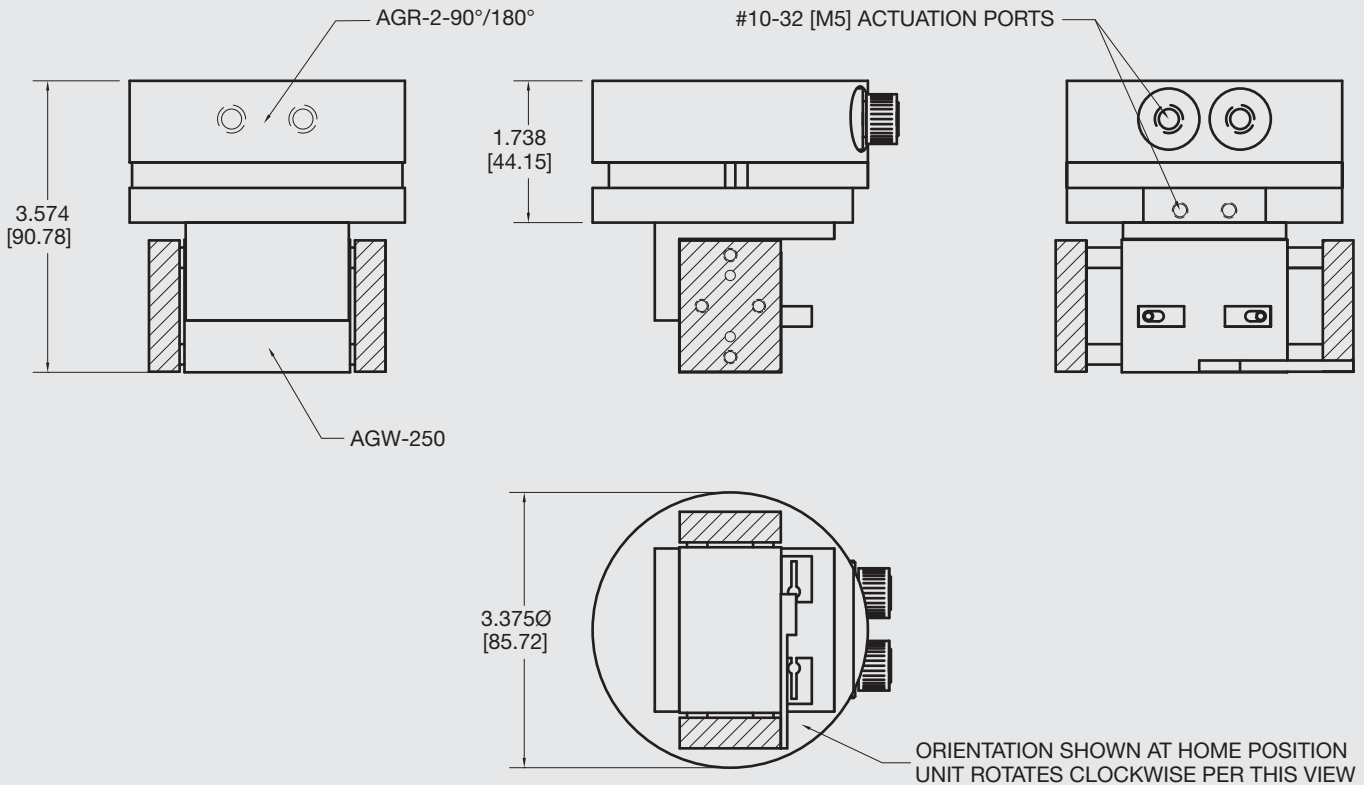
# AGM-9/AGM-10 Module

## Light Duty 37 oz. Payload

### MODULE CALLOUTS

AGM-9 = AGR-2-90° + AGW-250

AGM-10 = AGR-2-180° + AGW-250



### QUICK TECHNICALS

**Payload Capacity of Rotary Assembly:** = (1) AGP-250 Gripper + 37 oz.

**Gripper:** AGP-250  
**Stroke:** 0.750 in.  
**Closing/Opening:** 22/26 lbs/in<sup>2</sup>  
**Piston Bore:** (4) x 0.500 in.

**Rotary:** AGR-2  
**Degree of Rotation:** 90°/180°  
**Piston Bore:** (2) x 0.750 in.

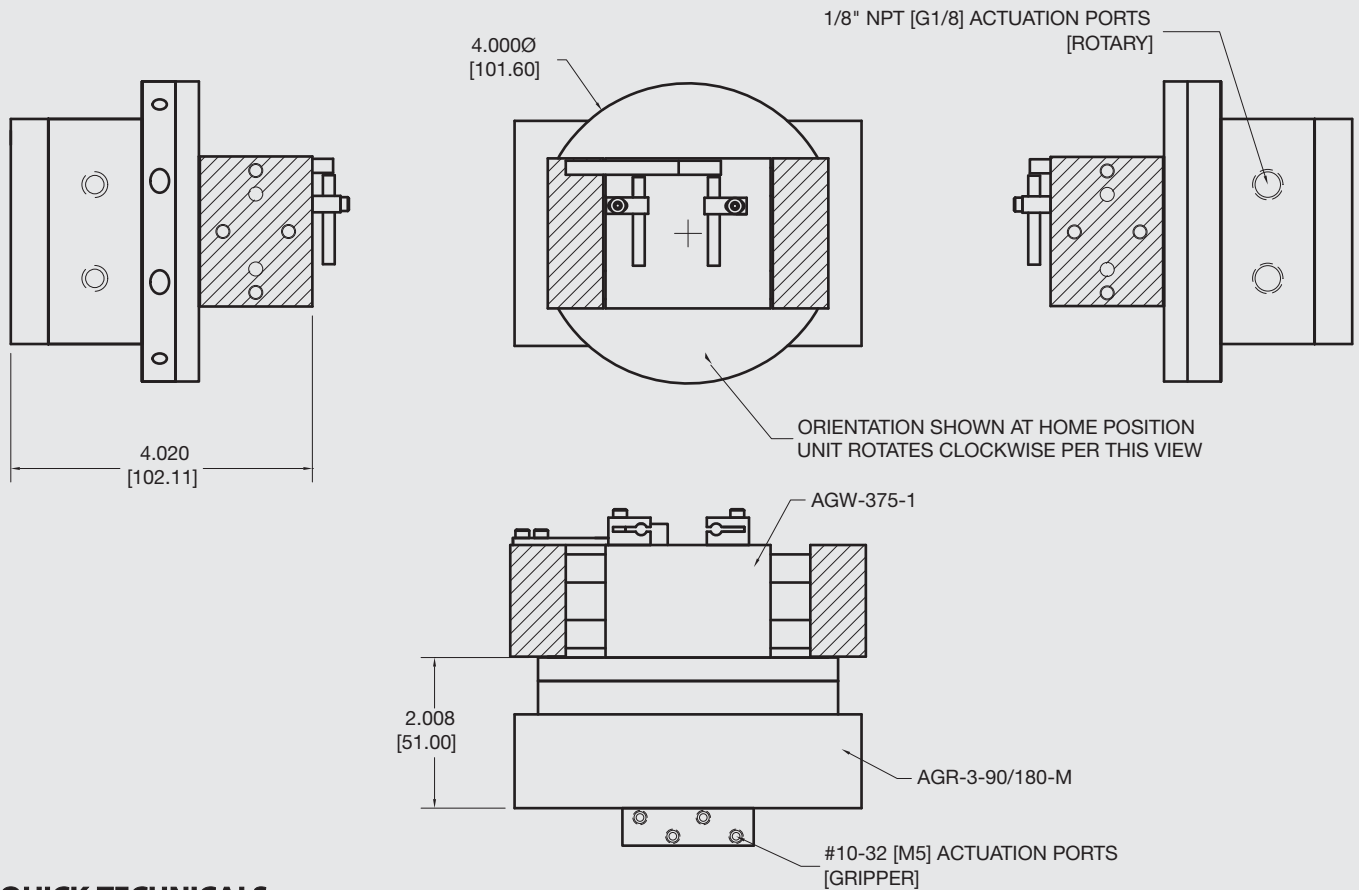
**Assembly Weight w/o Payload:** 60 oz.



Refer to catalog for individual product specifications

### MODULE CALLOUTS

AGM-11 = AGR-3-90° + AGW-375-1  
 AGM-12 = AGR-3-180° + AGW-375-1



### QUICK TECHNICALS

**Payload Capacity of Rotary Assembly:** = (1) AGP-375-1 Gripper + 107 oz.

**Gripper:** AGP-375-1  
**Stroke:** 1.000 in.  
**Closing/Opening:** 36/38 lbs/in<sup>2</sup>  
**Piston Bore:** (4) x 0.625 in.

**Rotary:** AGR-3  
**Degree of Rotation:** 90°/180°  
**Piston Bore:** (2) x 1.000 in.

**Assembly Weight w/o Payload:** 70 oz.



Refer to catalog for individual product specifications

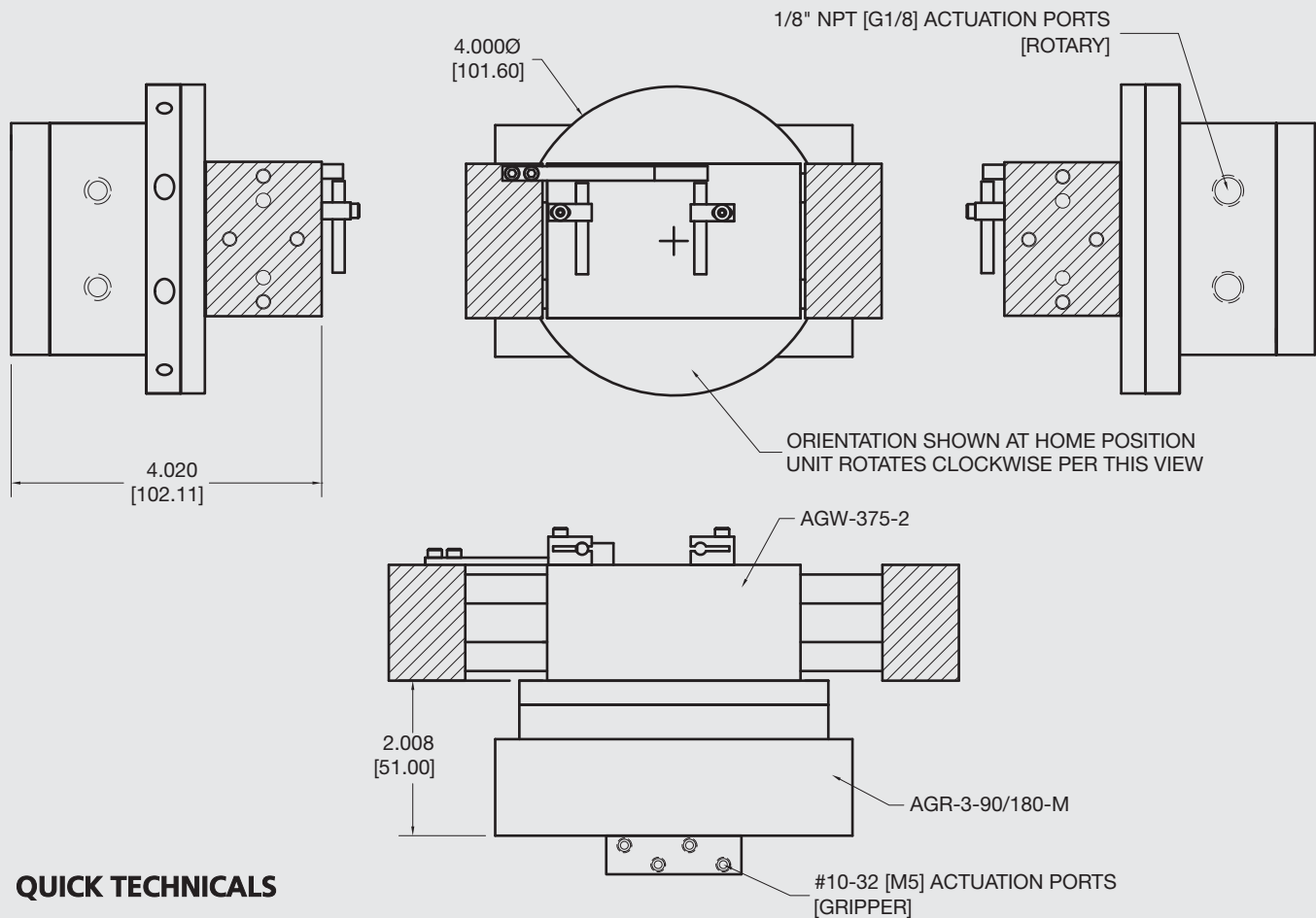
# AGM-13/AGM-14 Module

## Medium Duty 96 oz. Payload

### MODULE CALLOUTS

AGM-13 = AGR-3-90° + AGW-375-2

AGM-14 = AGR-3-180° + AGW-375-2



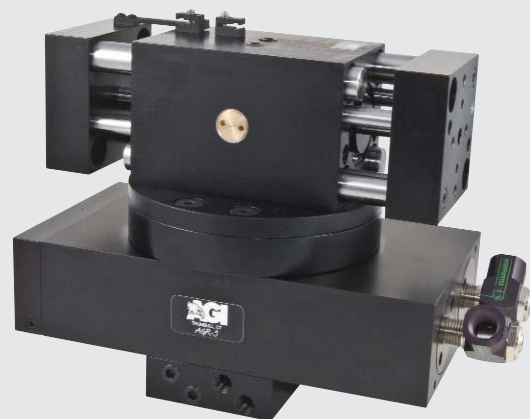
### QUICK TECHNICALS

**Payload Capacity of Rotary Assembly:** = (1) AGP-375-2 Gripper + 12 oz.

**Gripper:** AGP-375-2  
**Stroke:** 2.000 in.  
**Closing/Opening:** 36/38 lbs/in<sup>2</sup>  
**Piston Bore:** (4) x 0.625 in.

**Rotary:** AGR-3  
**Degree of Rotation:** 90°/180°  
**Piston Bore:** (2) x 1.000 in.

**Assembly Weight w/o Payload:** 80 oz.

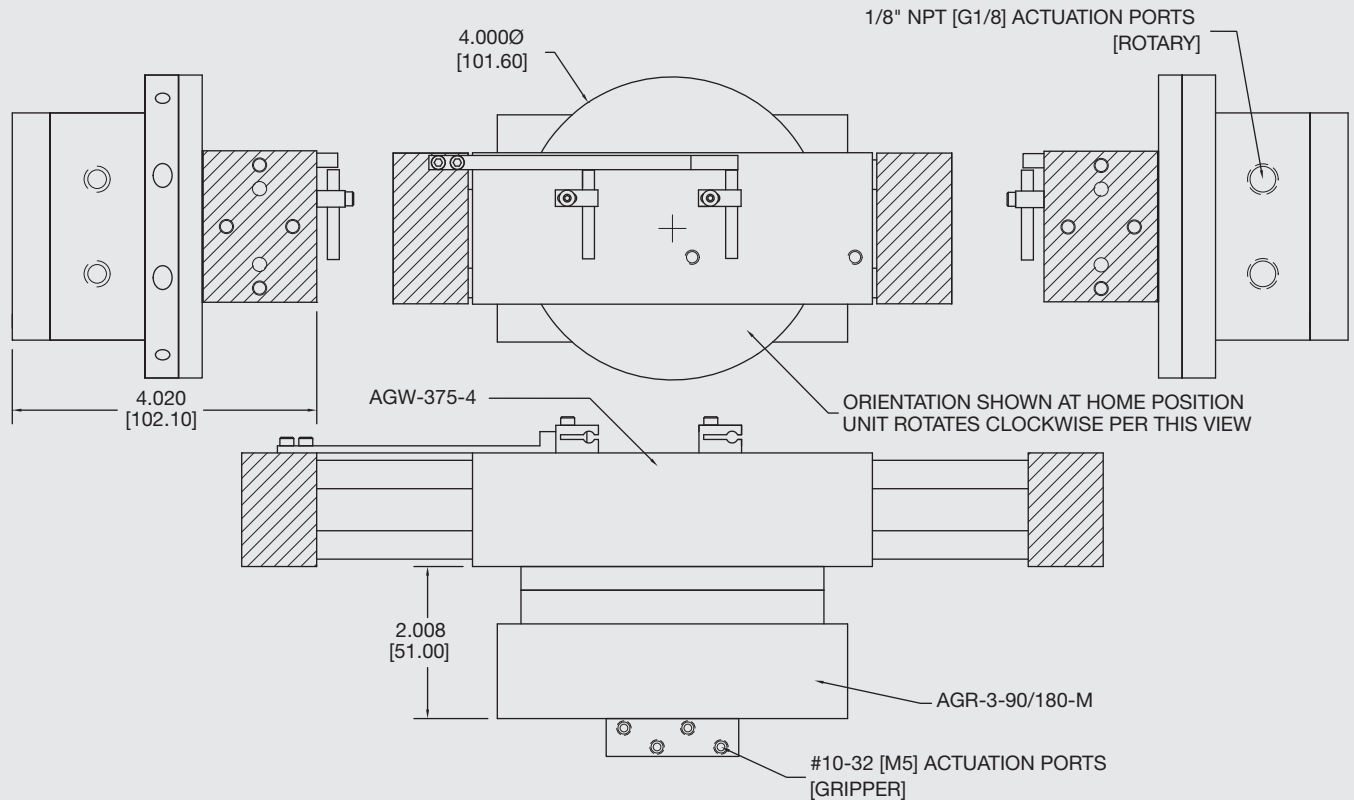


Refer to catalog for individual product specifications



### MODULE CALLOUTS

AGM-15 = AGR-3-90° + AGW-375-4  
 AGM-16 = AGR-3-180° + AGW-375-4



### QUICK TECHNICALS

**Payload Capacity of Rotary Assembly:** = (1) AGP-375-4 Gripper + 76 oz.

**Gripper:** AGP-375-4  
**Stroke:** 4.000 in.  
**Closing/Opening:** 36/38 lbs/in<sup>2</sup>  
**Piston Bore:** (4) x 0.625 in.

**Rotary:** AGR-3  
**Degree of Rotation:** 90°/180°  
**Piston Bore:** (2) x 1.000 in.

**Assembly Weight w/o Payload:** 100 oz.



Refer to catalog for individual product specifications

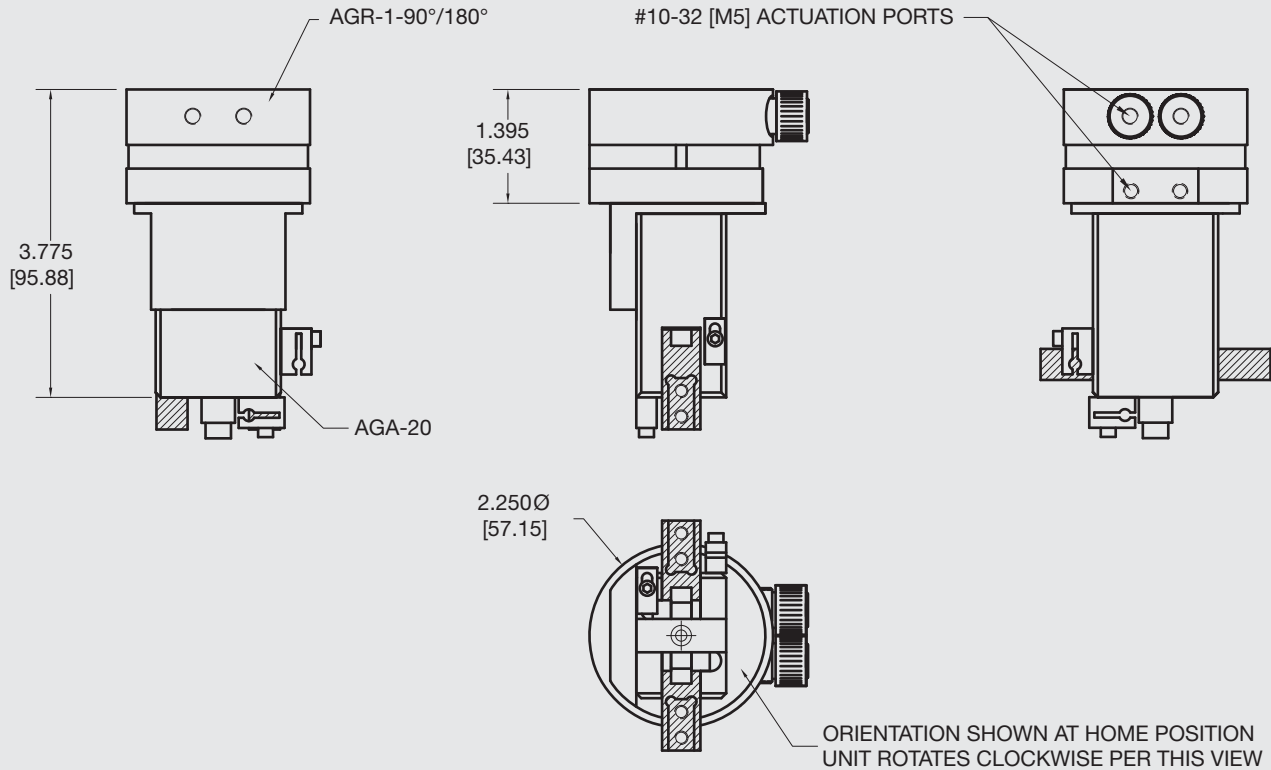
# AGM-17/AGM-18 Module

## Light Duty 9 oz. Payload

### MODULE CALLOUTS

AGM-17 = AGR-1-90° + AGA-20

AGM-18 = AGR-1-180° + AGA-20



### QUICK TECHNICALS

**Payload Capacity of Rotary Assembly:** = (1) AGA-20 Gripper + 9 oz.

**Gripper:** AGA-20  
**Stroke:** 0-180° ADJ.  
**Closing/Opening:** 52/55 lbs/in<sup>2</sup>  
**Piston Bore:** 0.787 in.

**Rotary:** AGR-1  
**Degree of Rotation:** 90°/180°  
**Piston Bore:** (2) x 0.500 in.

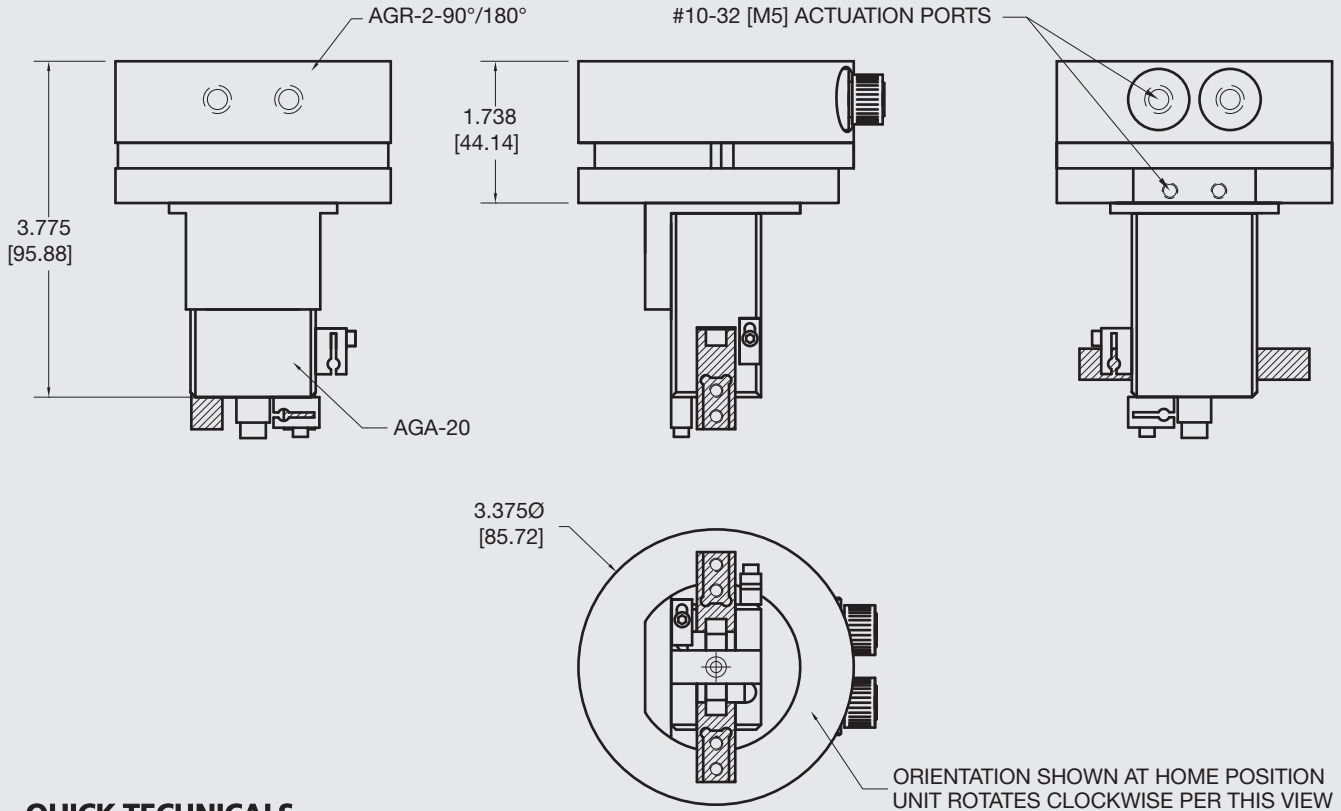
**Assembly Weight w/o Payload:** 14 oz.



Refer to catalog for individual product specifications

### MODULE CALLOUTS

AGM-19 = AGR-2-90° + AGA-20  
 AGM-20 = AGR-2-180° + AGA-20



### QUICK TECHNICALS

**Payload Capacity of Rotary Assembly:** = (1) AGA-20 Gripper + 40 oz.

**Gripper:** AGA-20  
**Stroke:** 0-180° ADJ.  
**Closing/Opening:** 52/55 lbs/in<sup>2</sup>  
**Piston Bore:** 0.787 in.

**Rotary:** AGR-2  
**Degree of Rotation:** 90°/180°  
**Piston Bore:** (2) x 0.750 in.

**Assembly Weight w/o Payload:** 25 oz.



Refer to catalog for individual product specifications

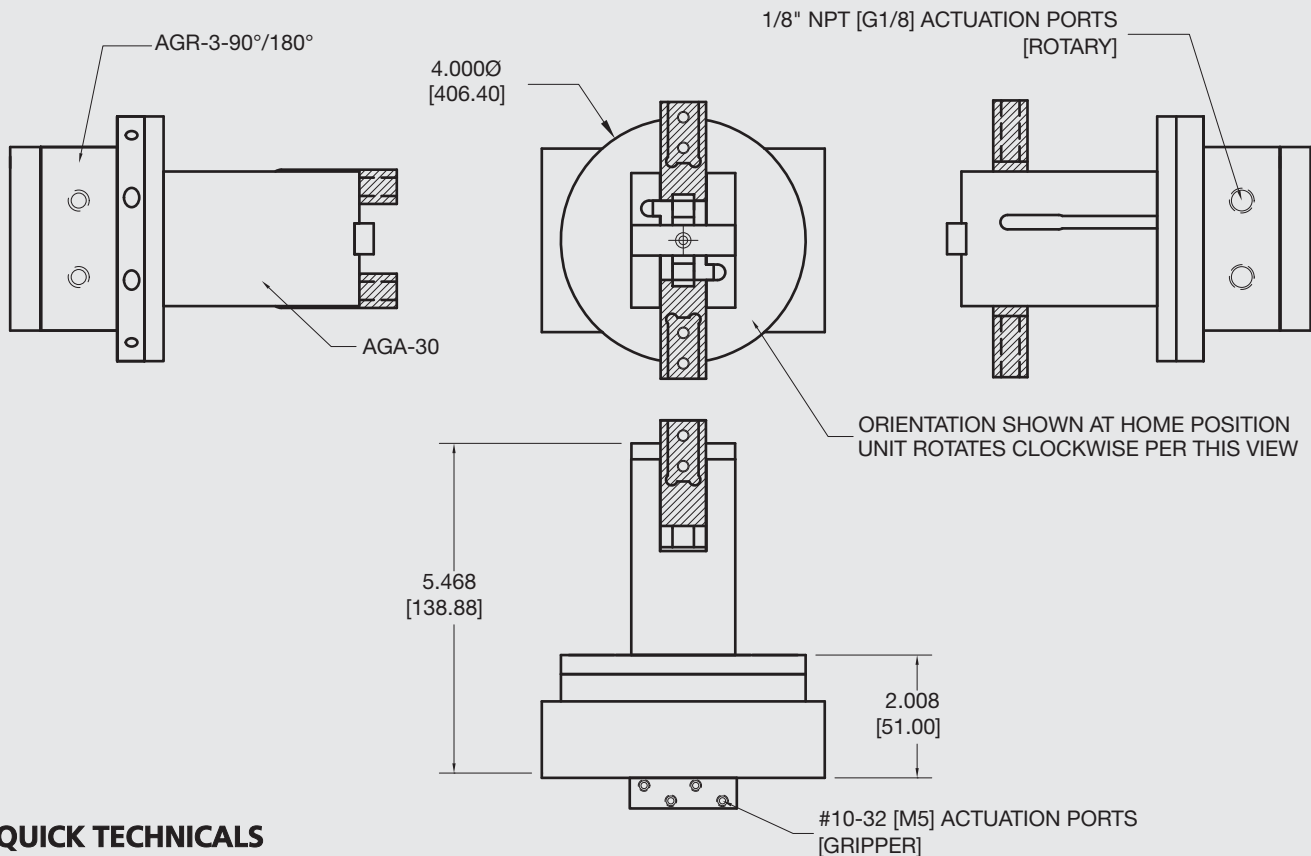
# AGM-21/AGM-22 Module

## Medium Duty 104 oz. Payload

### MODULE CALLOUTS

AGM-21 = AGR-3-90° + AGA-30

AGM-22 = AGR-3-180° + AGA-30



### QUICK TECHNICALS

**Payload Capacity of Rotary Assembly:** = (1) AGA-30 Gripper + 104 oz.

**Gripper:** AGA-30  
**Stroke:** 0-180° ADJ.  
**Closing/Opening:** 75/62 lbs/in<sup>2</sup>  
**Piston Bore:** 1.125 in.

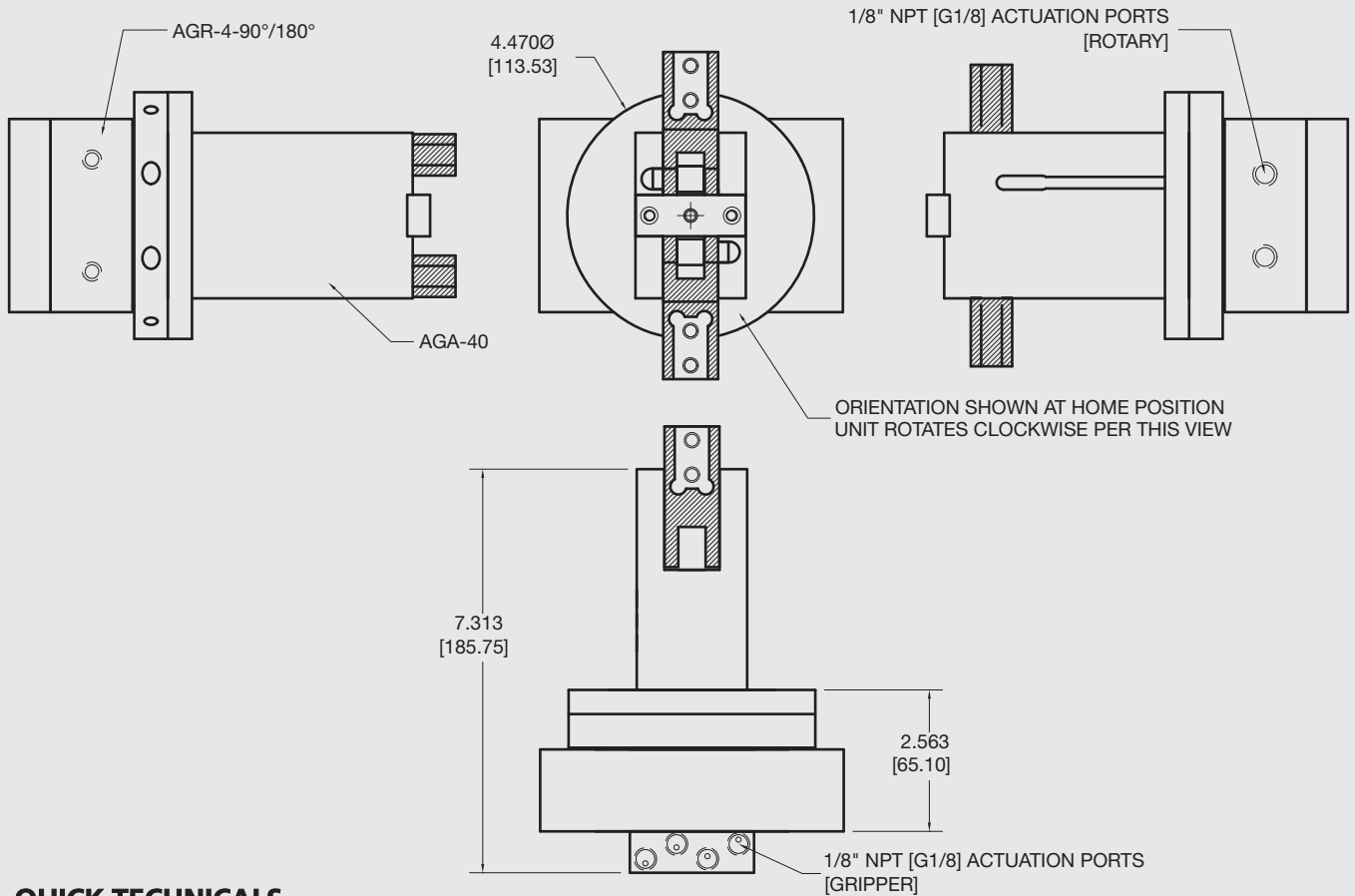
**Rotary:** AGR-1  
**Degree of Rotation:** 90°/180°  
**Piston Bore:** (2) x 1.000 in.

**Assembly Weight w/o Payload:** 72 oz.

Refer to catalog for individual product specifications



**MODULE CALLOUTS**  
 AGM-23 = AGR-4-90° + AGA-40  
 AGM-24 = AGR-4-180° + AGA-40



### QUICK TECHNICALS

**Payload Capacity of Rotary Assembly:** = (1) AGA-40 Gripper + 200 oz.

**Gripper:** AGA-40  
**Stroke:** 0-180° ADJ.  
**Closing/Opening:** 180/168 lbs/in<sup>2</sup>  
**Piston Bore:** 1.150 in.

**Rotary:** AGR-4  
**Degree of Rotation:** 90°/180°  
**Piston Bore:** (2) x 1.250 in.

**Assembly Weight w/o Payload:** 116 oz.

Refer to catalog for individual product specifications



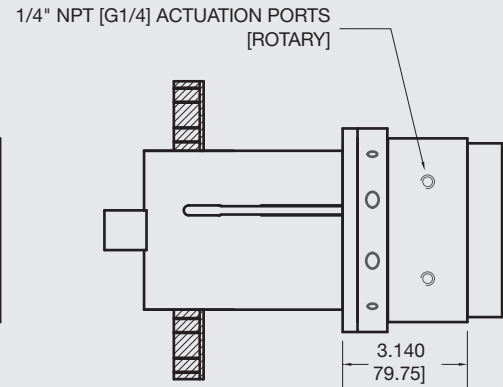
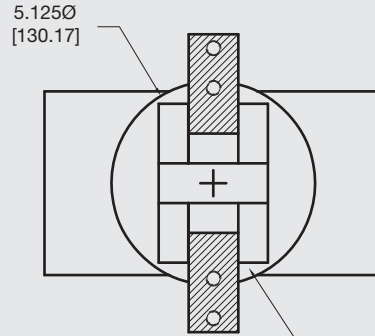
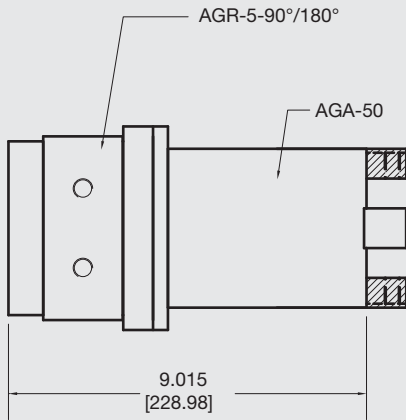
# AGM-25/AGM-26 Module

## Heavy Duty 390 oz. Payload

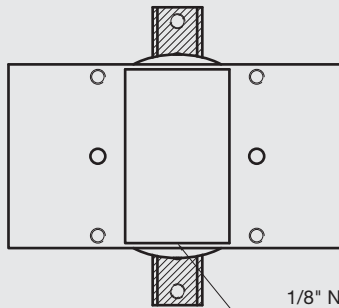
### MODULE CALLOUTS

AGM-25 = AGR-5-90° + AGA-50

AGM-26 = AGR-5-180° + AGA-50



ORIENTATION SHOWN AT HOME POSITION  
UNIT ROTATES CLOCKWISE PER THIS VIEW



1/8" NPT [G1/8] ACTUATION PORTS  
[GRIPPER]

### QUICK TECHNICALS

**Payload Capacity of Rotary Assembly:** = (1) AGA-50 Gripper + 390 oz.

**Gripper:** AGA-50  
**Stroke:** 0-180° ADJ.  
**Closing/Opening:** 720/685 lbs/in<sup>2</sup>  
**Piston Bore:** 2.250 in.

**Rotary:** AGR-5  
**Degree of Rotation:** 90°/180°  
**Piston Bore:** (2) x 1.625 in.

**Assembly Weight w/o Payload:** 116 oz.

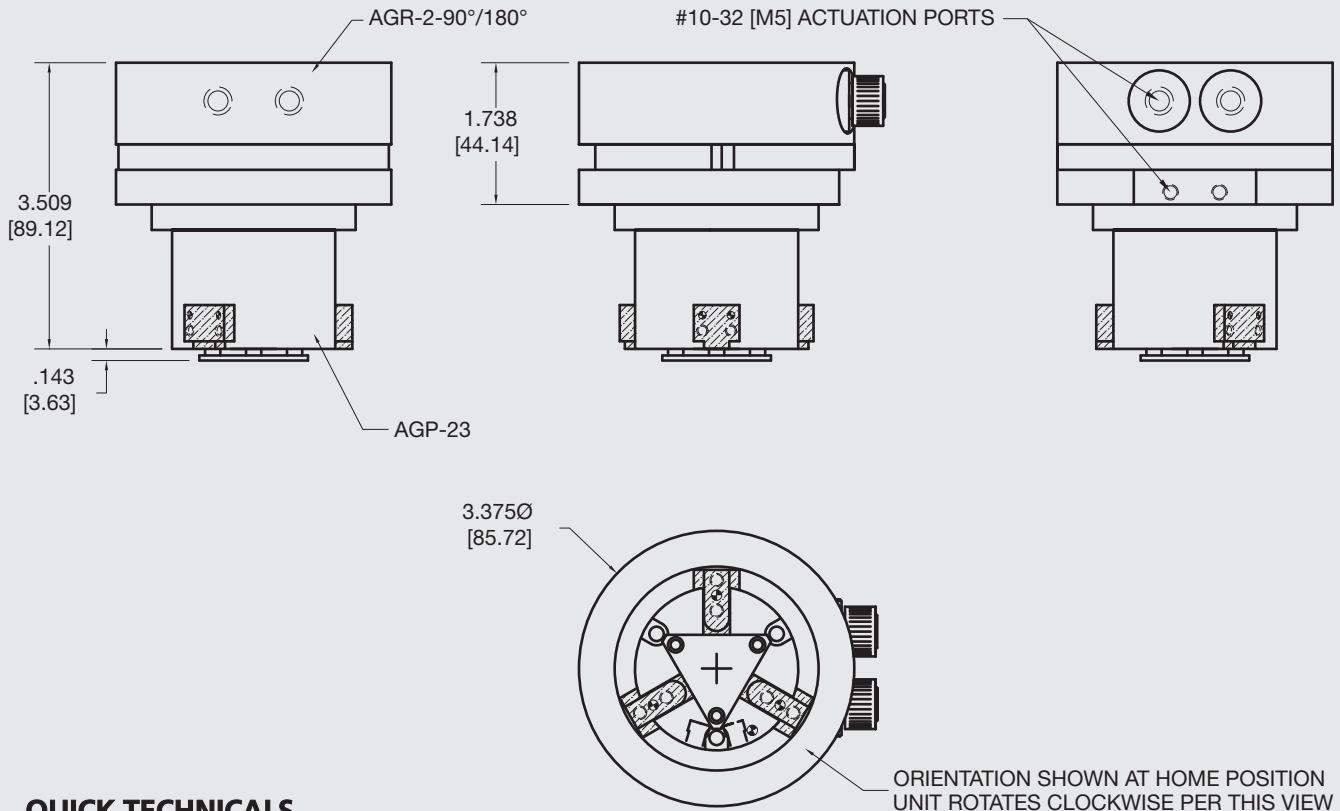


Refer to catalog for individual product specifications

### MODULE CALLOUTS

AGM-27 = AGR-2-90° + AGP-23

AGM-28 = AGR-2-180° + AGP-23



### QUICK TECHNICALS

**Payload Capacity of Rotary Assembly:** = (1) AGP-23 Gripper + 38 oz.

**Gripper:** AGP-50  
**Stroke:** 0.300 in.  
**Closing/Opening:** 29/26 lbs/in<sup>2</sup>  
**Piston Bore:** 1.250 in.

**Rotary:** AGR-2  
**Degree of Rotation:** 90°/180°  
**Piston Bore:** (2) x 0.750 in.

**Assembly Weight w/o Payload:** 28 oz.



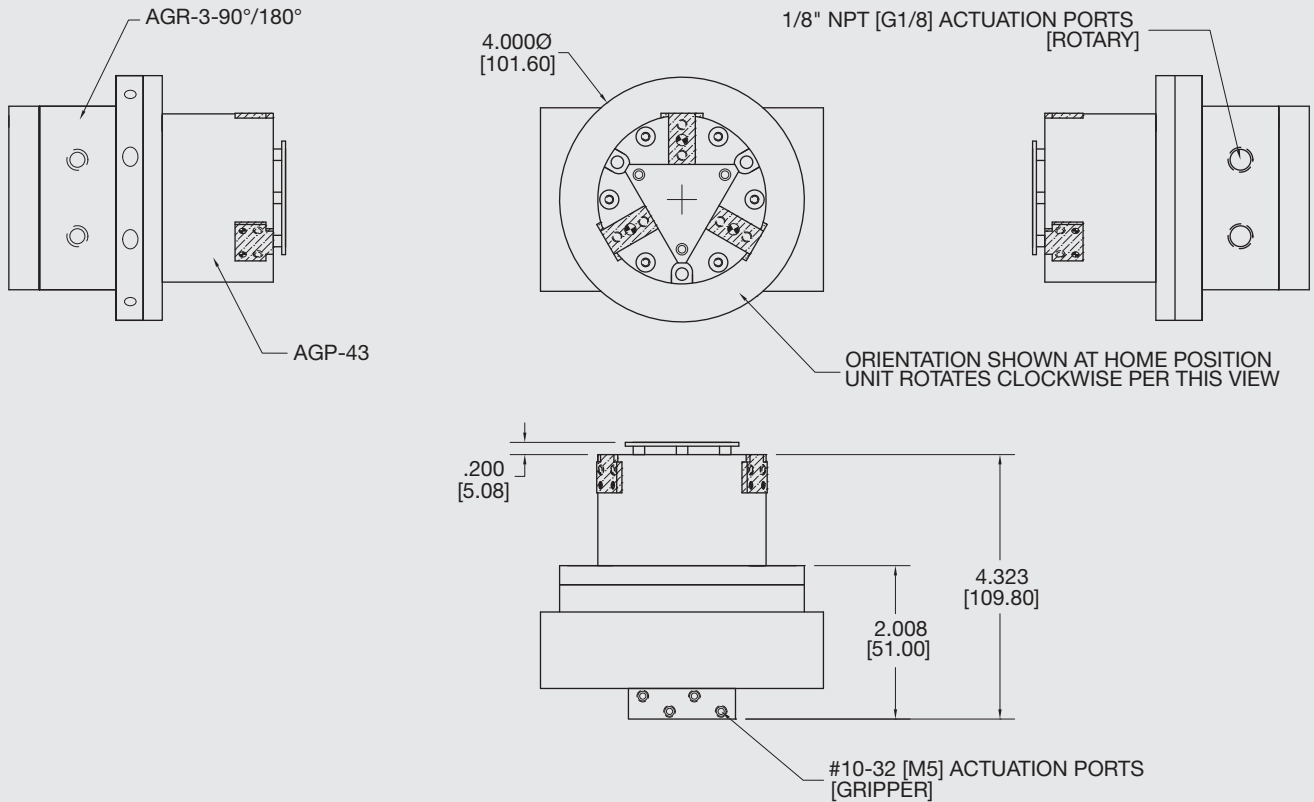
Refer to catalog for individual product specifications

# AGM-29/AGM-30 Module

## Medium Duty 112 oz. Payload

### MODULE CALLOUTS

AGM-29 = AGR-3-90° + AGP-43  
 AGM-30 = AGR-3-180° + AGP-43



### QUICK TECHNICALS

**Payload Capacity of Rotary Assembly:** = (1) AGP-43 Gripper + 112 oz.

**Gripper:** AGP-43  
**Stroke:** 0.400 in.  
**Closing/Opening:** 80/86 lbs/in<sup>2</sup>  
**Piston Bore:** 2.000 in.

**Rotary:** AGR-3  
**Degree of Rotation:** 90°/180°  
**Piston Bore:** (2) x 1.000 in.

**Assembly Weight w/o Payload:** 64 oz.



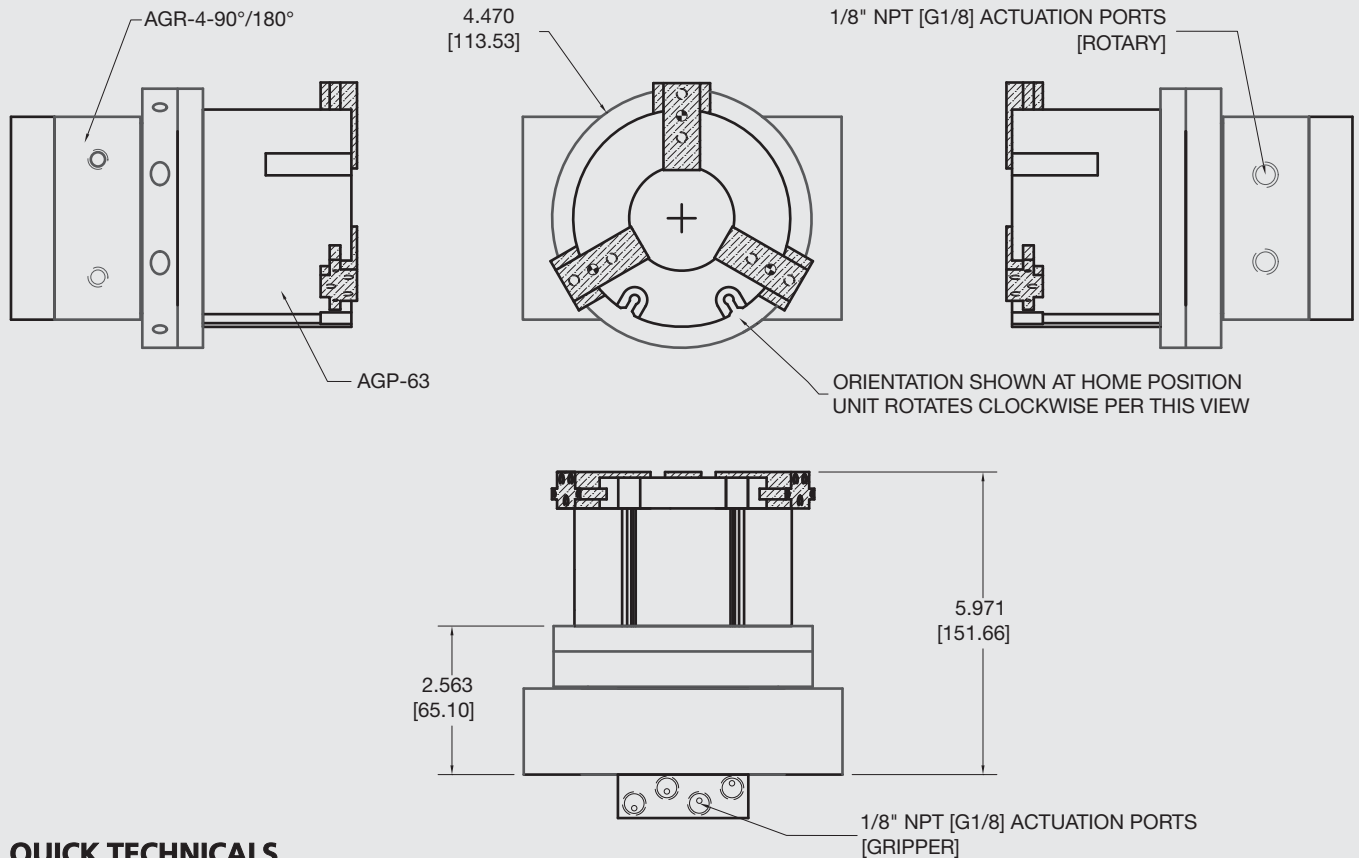
Refer to catalog for individual product specifications



### MODULE CALLOUTS

AGM-31 = AGR-4-90° + AGP-63

AGM-32 = AGR-4-180° + AGP-63



### QUICK TECHNICALS

**Payload Capacity of Rotary Assembly:** = (1) AGP-63 Gripper + 200 oz.

**Gripper:** AGP-63  
**Stroke:** 0.620 in.  
**Closing/Opening:** 200/194 lbs/in<sup>2</sup>  
**Piston Bore:** 2.750 in.

**Rotary:** AGR-4  
**Degree of Rotation:** 90°/180°  
**Piston Bore:** (2) x 1.250 in.

**Assembly Weight w/o Payload:** 118 oz.



Refer to catalog for individual product specifications

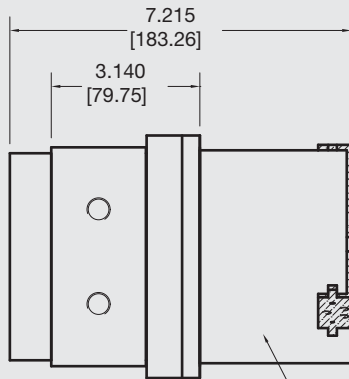
# AGM-33/AGM-34 Module

## Heavy Duty 380 oz. Payload

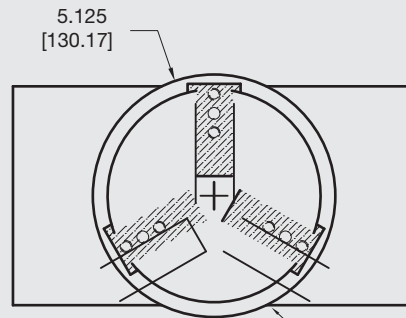
### MODULE CALLOUTS

AGM-33 = AGR-5-90° + AGP-83

AGM-34 = AGR-5-180° + AGP-83

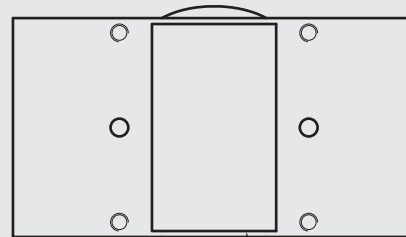
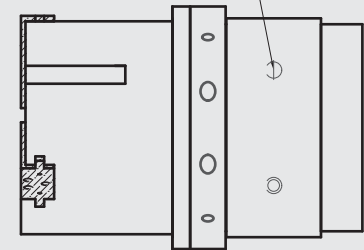


AGP-83



1/8" NPT [G1/8] ACTUATION PORTS  
[ROTARY]

ORIENTATION SHOWN AT HOME POSITION  
UNIT ROTATES CLOCKWISE PER THIS VIEW



1/8" NPT [G1/8] ACTUATION PORTS  
[GRIPPER]

### QUICK TECHNICALS

**Payload Capacity of Rotary Assembly:** = (1) AGP-83 Gripper + 380 oz.

**Gripper:** AGP-83  
**Stroke:** 0.880 in.  
**Closing/Opening:** 280/285 lbs/in<sup>2</sup>  
**Piston Bore:** 3.500 in.

**Rotary:** AGR-5  
**Degree of Rotation:** 90°/180°  
**Piston Bore:** (2) x 1.625 in.

**Assembly Weight w/o Payload:** 232 oz.



Refer to catalog for individual product specifications

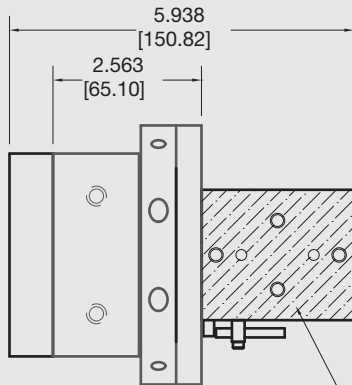
# AGM-35/AGM-36 Module

## Medium Duty 190 oz. Payload

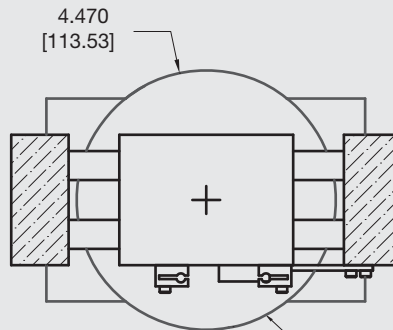
### MODULE CALLOUTS

AGM-35 = AGR-4-90° + AGW-500-1

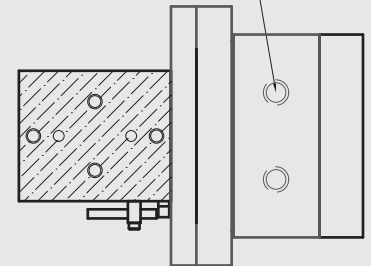
AGM-36 = AGR-4-180° + AGW-500-1



AGW-500-1



1/8" NPT [G1/8] ACTUATION PORTS  
[ROTARY]

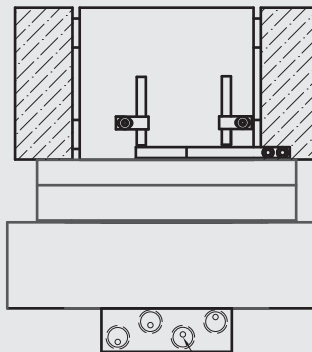


ORIENTATION SHOWN AT HOME POSITION  
UNIT ROTATES CLOCKWISE PER THIS VIEW

### MODULE CALLOUTS

AGM-35 = AGR-4-90-M +  
AGW-500-1

AGM-36 = AGR-4-180-M +  
AGW-500-1



1/8" NPT [G1/8] ACTUATION PORTS  
[GRIPPER]

## QUICK TECHNICALS

**Payload Capacity of  
Rotary Assembly:** = (1) AGW-500-1 Gripper + 190 oz.

**Gripper:** AGW-500-1  
**Stroke:** 1.500 in.  
**Closing/Opening:** 84/86 lbs/in<sup>2</sup>  
**Piston Bore:** (4) x 0.875 in.

**Rotary:** AGR-4  
**Degree of Rotation:** 90°/180°  
**Piston Bore:** (2) x 1.250 in.

**Assembly Weight  
w/o Payload:** 128 oz.



Refer to catalog for individual product specifications

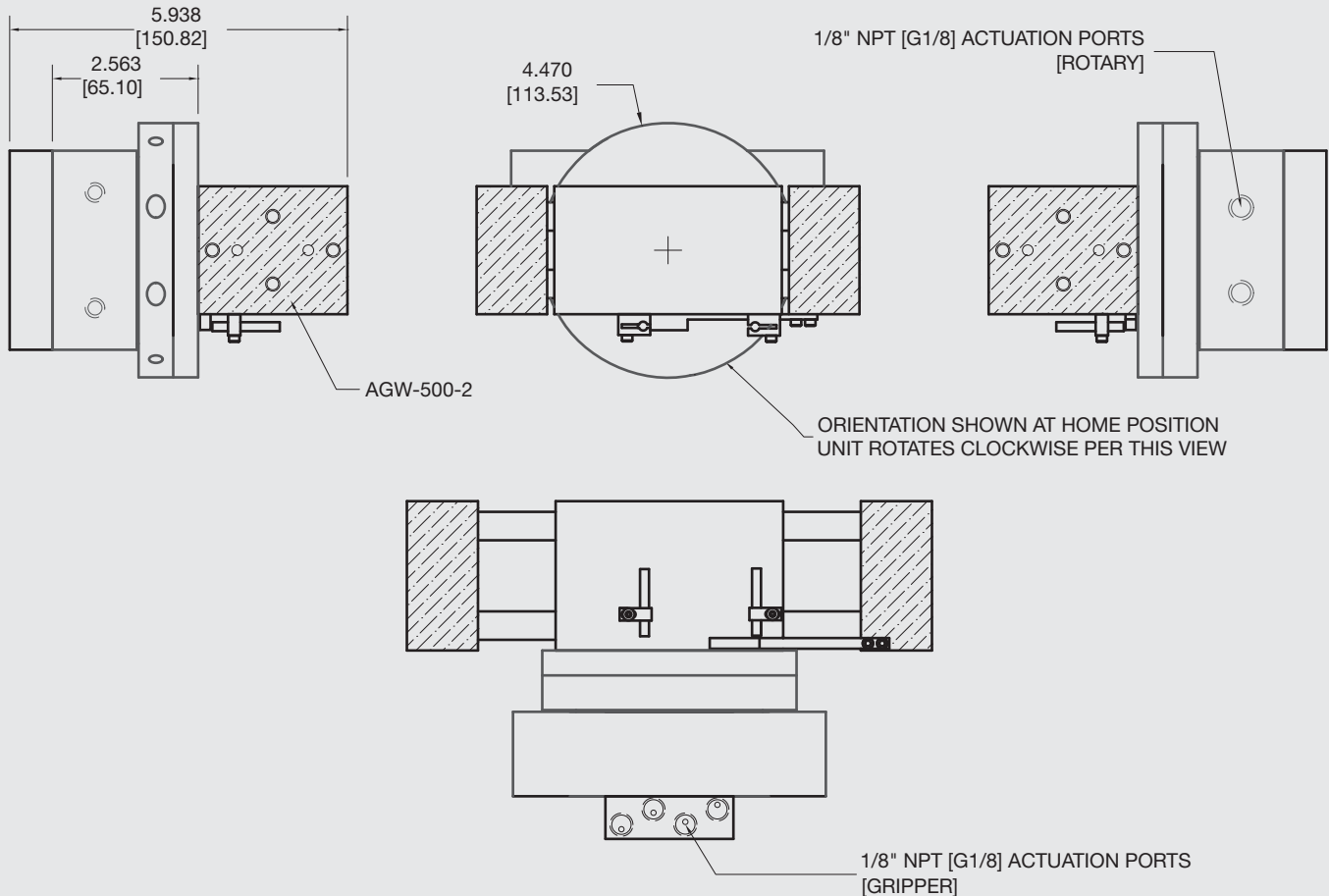
# AGM-37/AGM-38 Module

## Medium Duty 175 oz. Payload

### MODULE CALLOUTS

AGM-37 = AGR-4-90° + AGW-500-2

AGM-38 = AGR-4-180° + AGW-500-2



### QUICK TECHNICALS

**Payload Capacity of Rotary Assembly:** = (1) AGW-500-2 Gripper + 175 oz.

**Gripper:** AGW-500-2  
**Stroke:** 2.500 in.  
**Closing/Opening:** 84/86 lbs/in<sup>2</sup>  
**Piston Bore:** (4) x 0.875 in.

**Rotary:** AGR-4  
**Degree of Rotation:** 90°/180°  
**Piston Bore:** (2) x 1.250 in.

**Assembly Weight w/o Payload:** 144 oz.

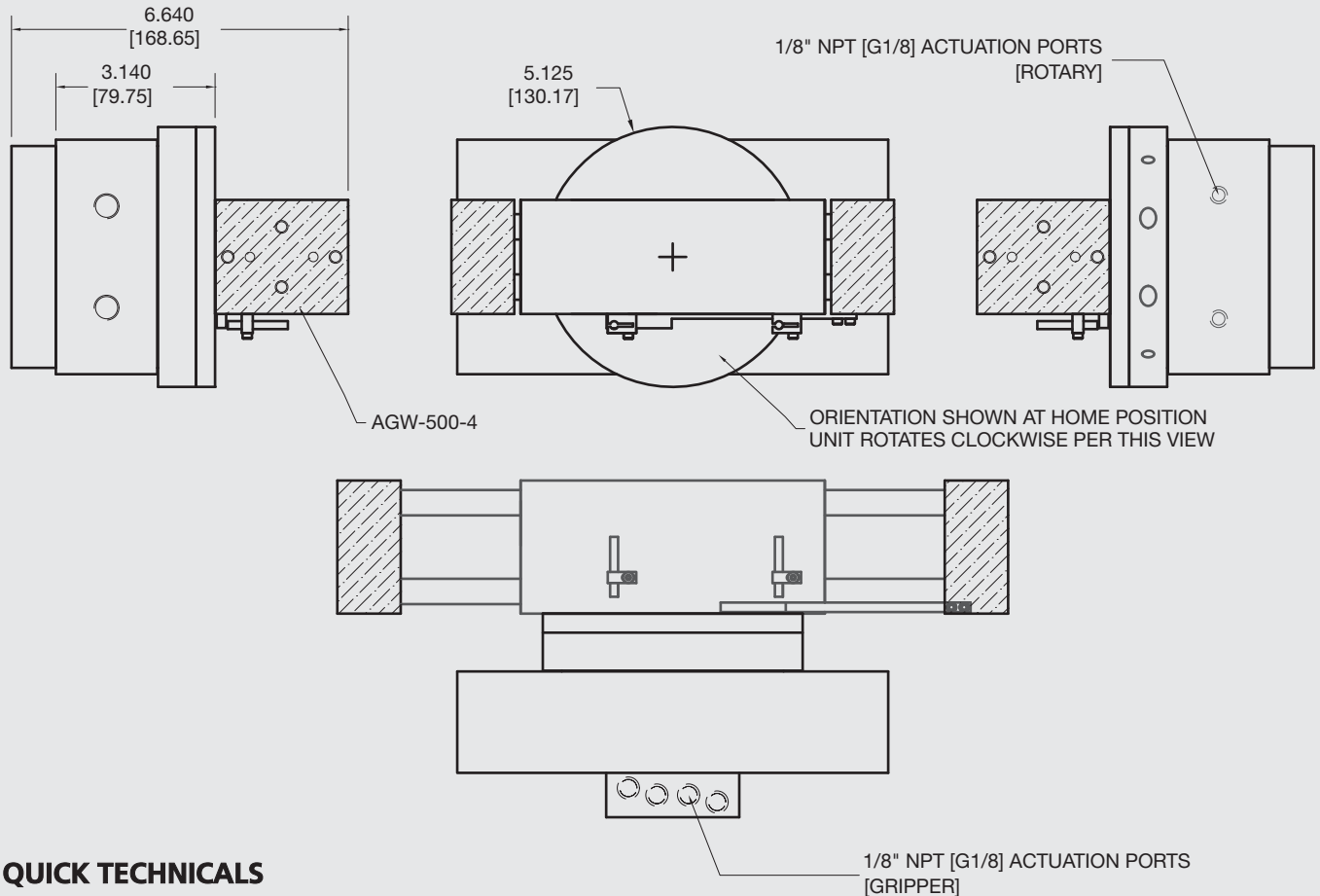


Refer to catalog for individual product specifications

### MODULE CALLOUTS

AGM-39 = AGR-5-90° + AGW-500-4

AGM-40 = AGR-5-180° + AGW-500-4



### QUICK TECHNICALS

**Payload Capacity of Rotary Assembly:** = (1) AGW-500-4 Gripper + 380 oz.

**Gripper:** AGW-500-4  
**Stroke:** 4.500 in.  
**Closing/Opening:** 84/86 lbs/in<sup>2</sup>  
**Piston Bore:** (4) x 0.875 in.

**Rotary:** AGR-5  
**Degree of Rotation:** 90°/180°  
**Piston Bore:** (2) x 1.625 in.

**Assembly Weight w/o Payload:** 232 oz.



Refer to catalog for individual product specifications

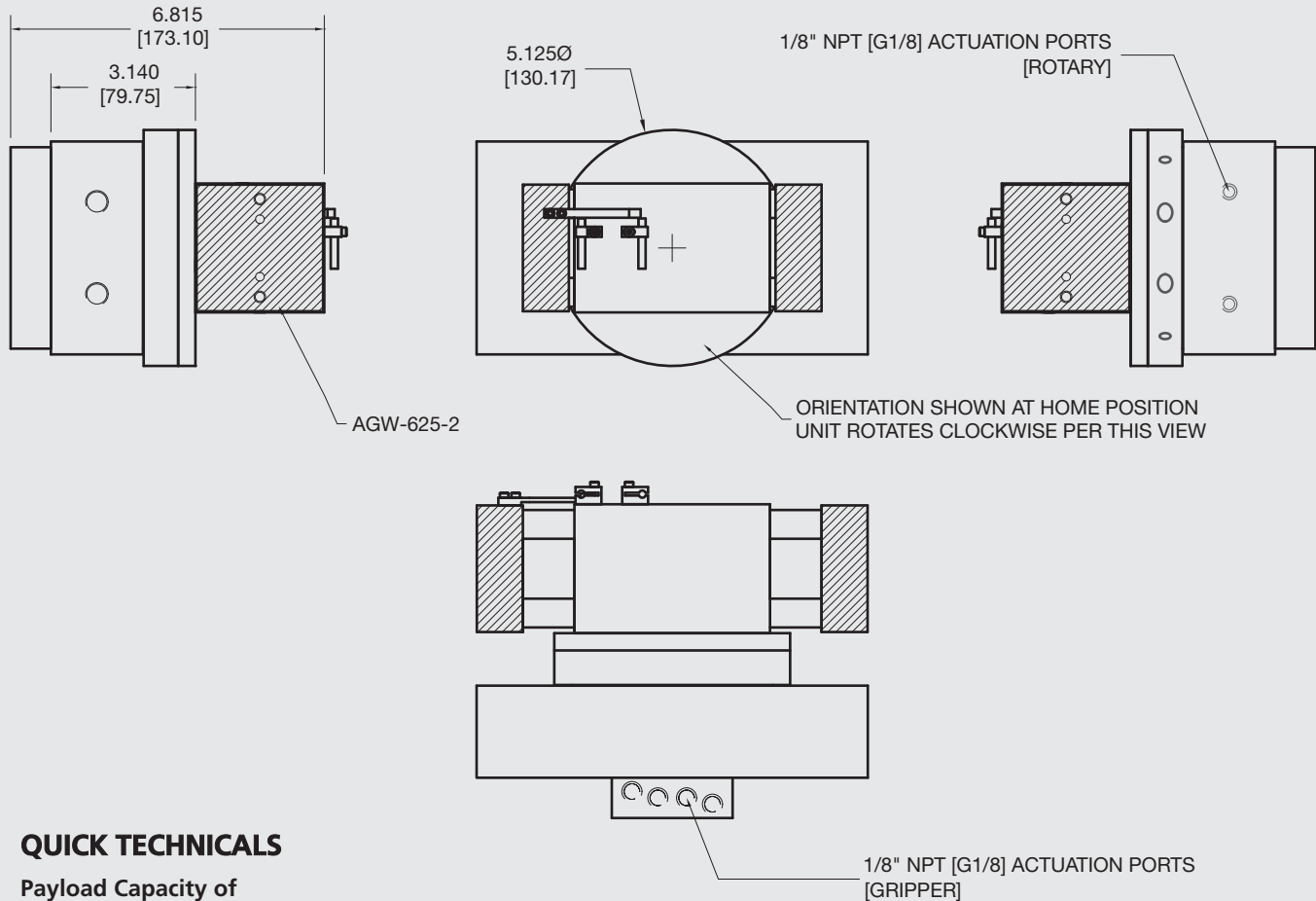
# AGM-41/AGM-42 Module

## Heavy Duty 380 oz. Payload

### MODULE CALLOUTS

AGM-41 = AGR-5-90° + AGW-625-2

AGM-42 = AGR-5-180° + AGW-625-2



### QUICK TECHNICALS

**Payload Capacity of Rotary Assembly:** = (1) AGW-625-2 Gripper + 380 oz.

**Gripper:** AGW-625-2  
**Stroke:** 2.000 in.  
**Closing/Opening:** 130/132 lbs/in<sup>2</sup>  
**Piston Bore:** 1.625 in.

**Rotary:** AGR-5  
**Degree of Rotation:** 90°/180°  
**Piston Bore:** (2) x 1.625 in.

**Assembly Weight w/o Payload:** 240 oz.

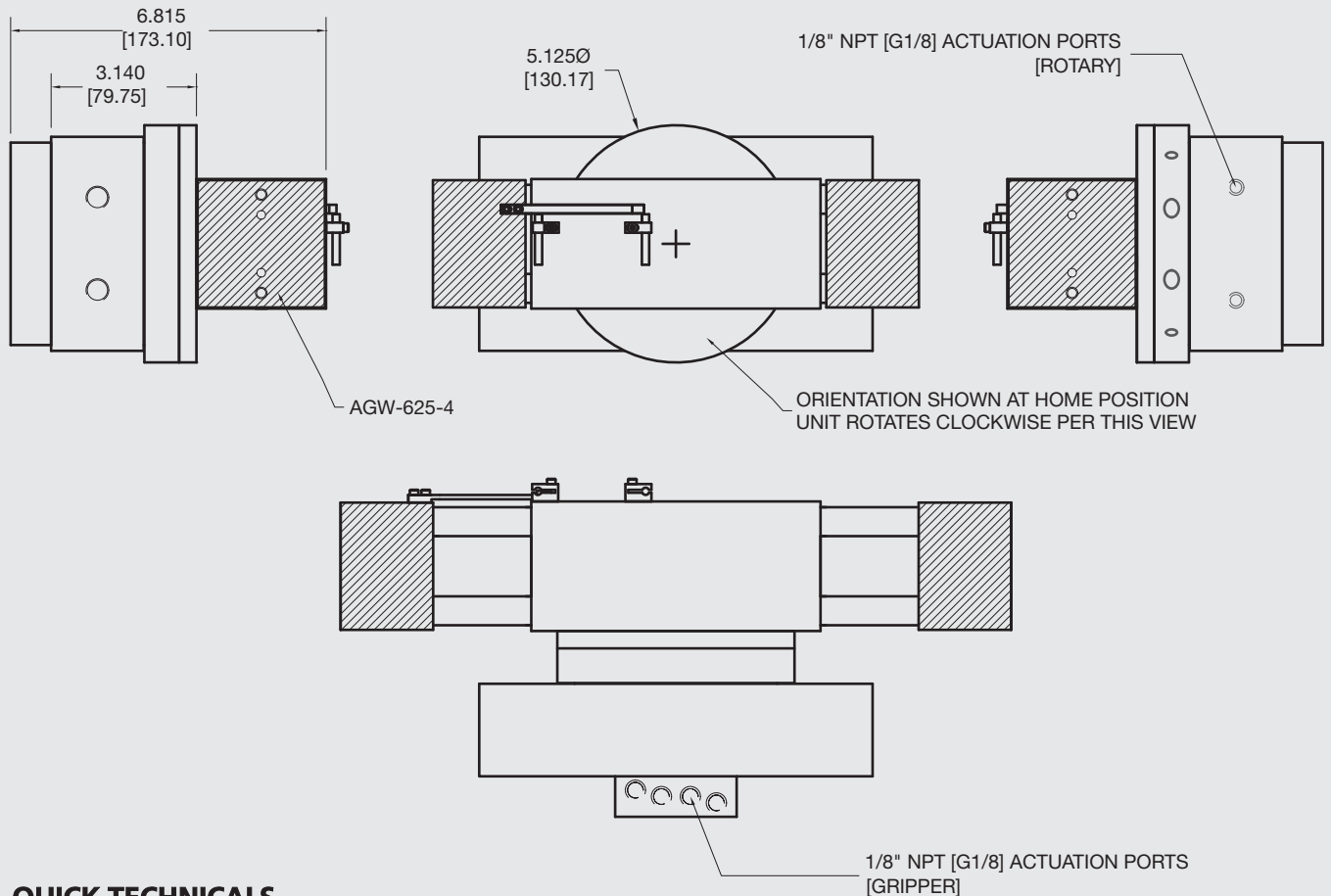


Refer to catalog for individual product specifications

### MODULE CALLOUTS

AGM-43 = AGR-5-90° + AGW-625-4

AGM-44 = AGR-5-180° + AGW-625-4



### QUICK TECHNICALS

**Payload Capacity of Rotary Assembly:** = (1) AGW-625-4 Gripper + 320 oz.

**Gripper:** AGW-625-4  
**Stroke:** 4.000 in.  
**Closing/Opening:** 130/132 lbs/in<sup>2</sup>  
**Piston Bore:** 1.625 in.

**Rotary:** AGR-5  
**Degree of Rotation:** 90°/180°  
**Piston Bore:** (2) x 1.625 in.

**Assembly Weight w/o Payload:** 296 oz.



Refer to catalog for individual product specifications

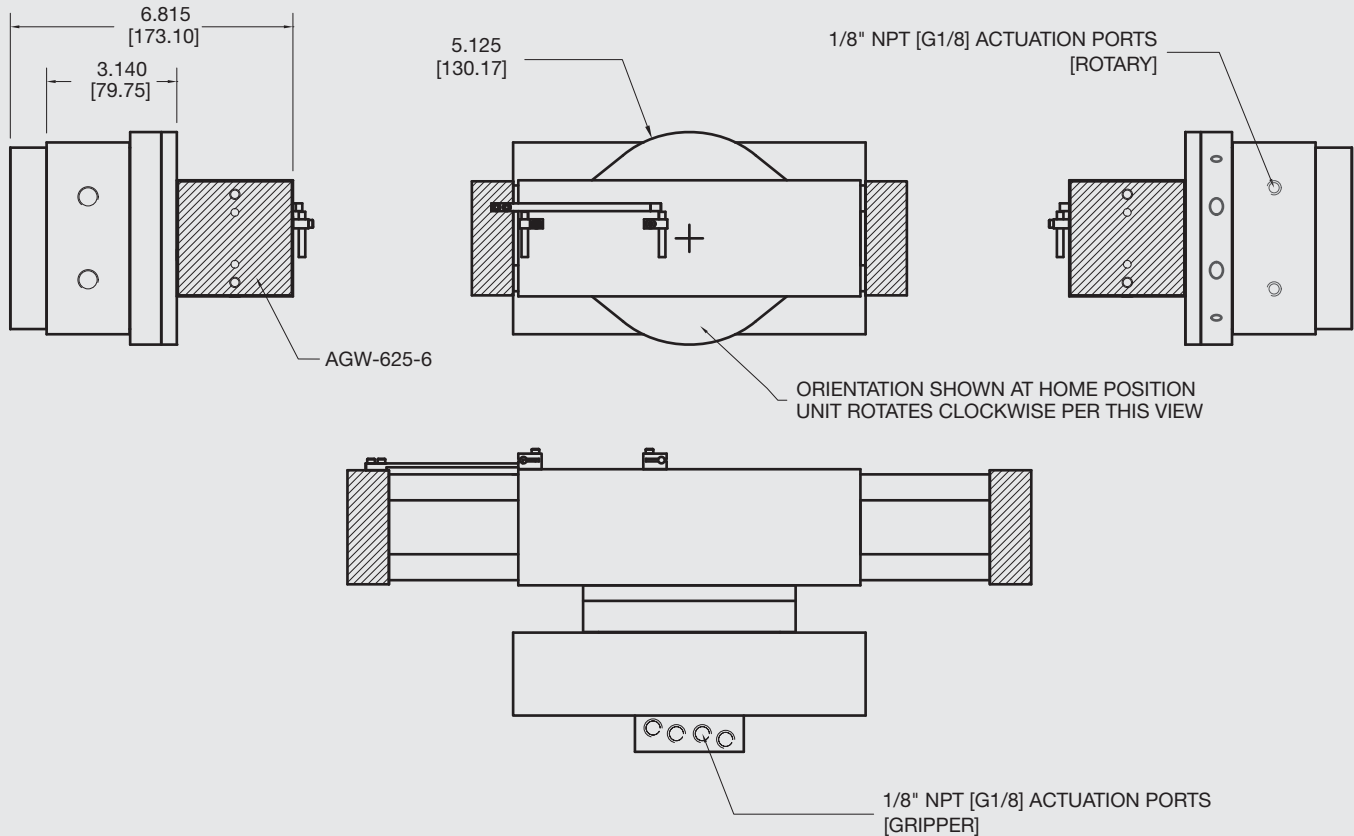
# AGM-45/AGM-46 Module

## Heavy Duty 380 oz. Payload

### MODULE CALLOUTS

AGM-45 = AGR-5-90° + AGW-625-6

AGM-46 = AGR-5-180° + AGW-625-6



### QUICK TECHNICALS

**Payload Capacity of Rotary Assembly:** = (1) AGW-625-6 Gripper + 304 oz.

**Gripper:** AGW-625-6  
**Stroke:** 6.000 in.  
**Closing/Opening:** 130/132 lbs/in<sup>2</sup>  
**Piston Bore:** 1.625 in.

**Rotary:** AGR-5  
**Degree of Rotation:** 90°/180°  
**Piston Bore:** (2) x 1.625 in.

**Assembly Weight w/o Payload:** 312 oz.

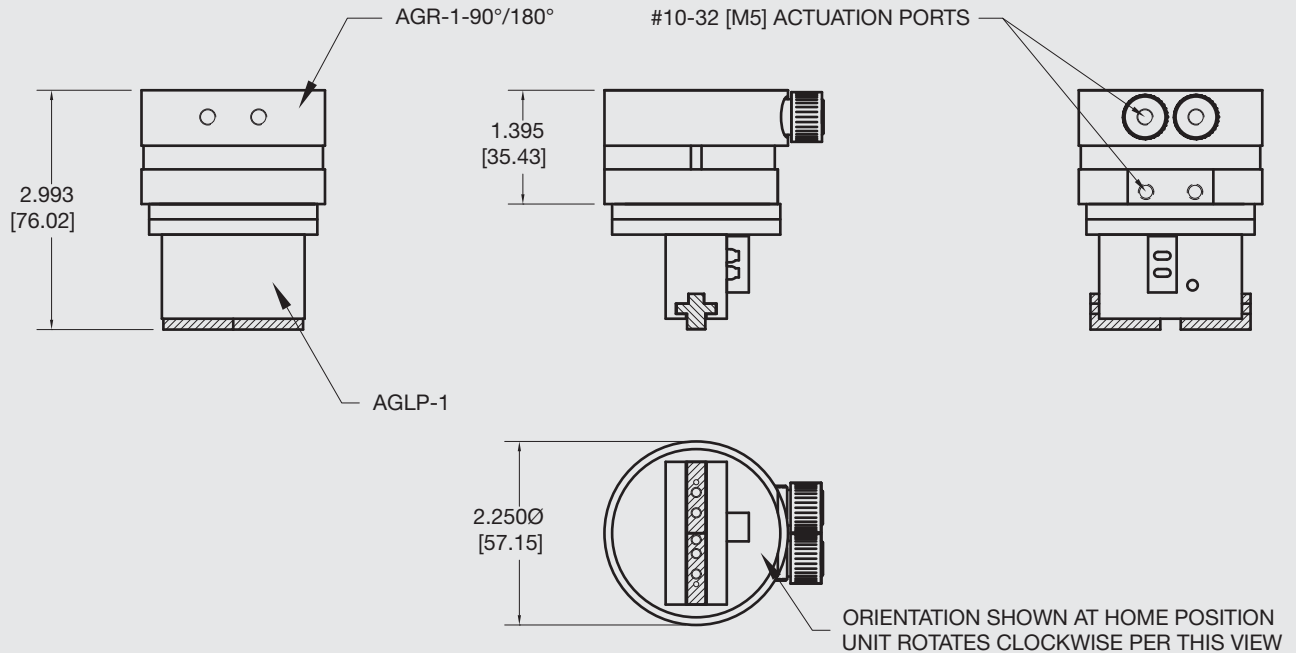


Refer to catalog for individual product specifications



### MODULE CALLOUTS

AGM-61 = AGR-1-90° + AGLP-1  
 AGM-62 = AGR-1-180° + AGLP-1



### QUICK TECHNICALS

**Payload Capacity of Rotary Assembly:** = (1) AGLP-1 Gripper + 14 oz.

**Gripper:** AGLP-1  
**Stroke:** 2.50 in.  
**Closing/Opening:** 10/10 lbs/in<sup>2</sup>  
**Piston Bore:** 0.625 in.

**Rotary:** AGR-1  
**Degree of Rotation:** 90°/180°  
**Piston Bore:** (2) x 0.500 in.

**Assembly Weight w/o Payload:** 9 oz.



Refer to catalog for individual product specifications

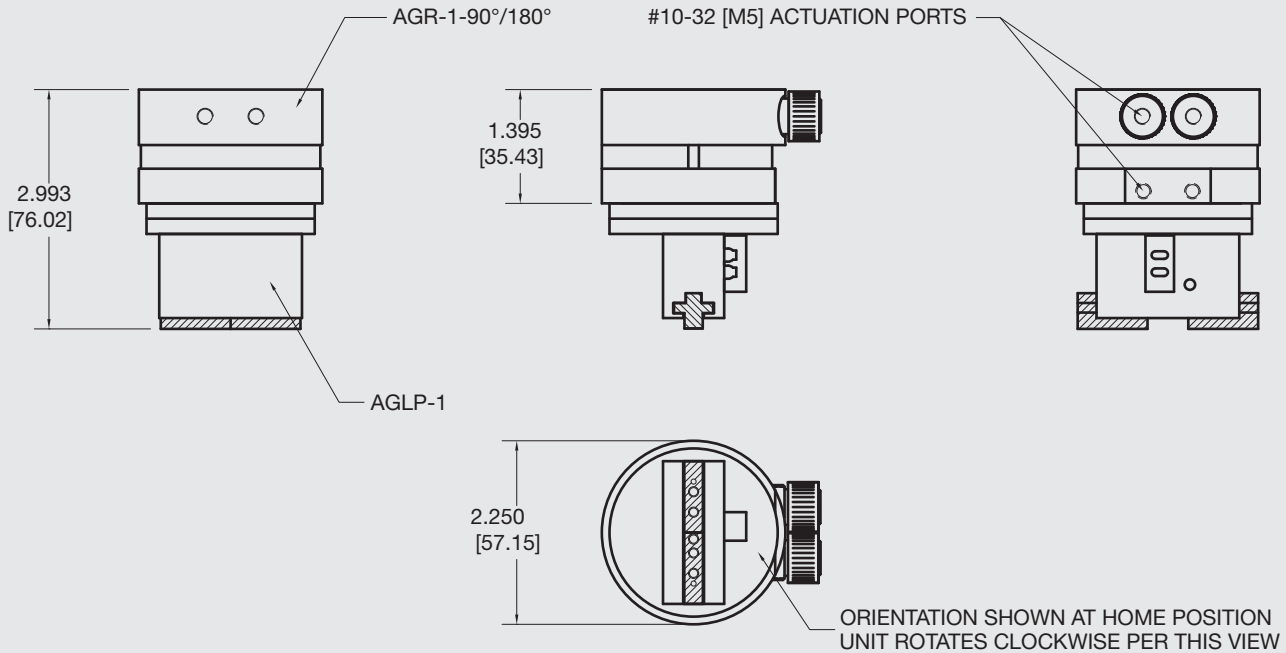
# AGM-63/AGM-64 Module

## Light Duty 14 oz. Payload

### MODULE CALLOUTS

AGM-63 = AGR-1-90° + AGLP-2

AGM-64 = AGR-1-180° + AGLP-2



### QUICK TECHNICALS

**Payload Capacity of Rotary Assembly:** = (1) AGLP-2 Gripper + 14 oz.

**Gripper:** AGLP-2  
**Stroke:** 0.500 in.  
**Closing/Opening:** 10/10 lbs/in<sup>2</sup>  
**Piston Bore:** 0.625 in.

**Rotary:** AGR-1  
**Degree of Rotation:** 90°/180°  
**Piston Bore:** (2) x 0.500 in.

**Assembly Weight w/o Payload:** 9 oz.

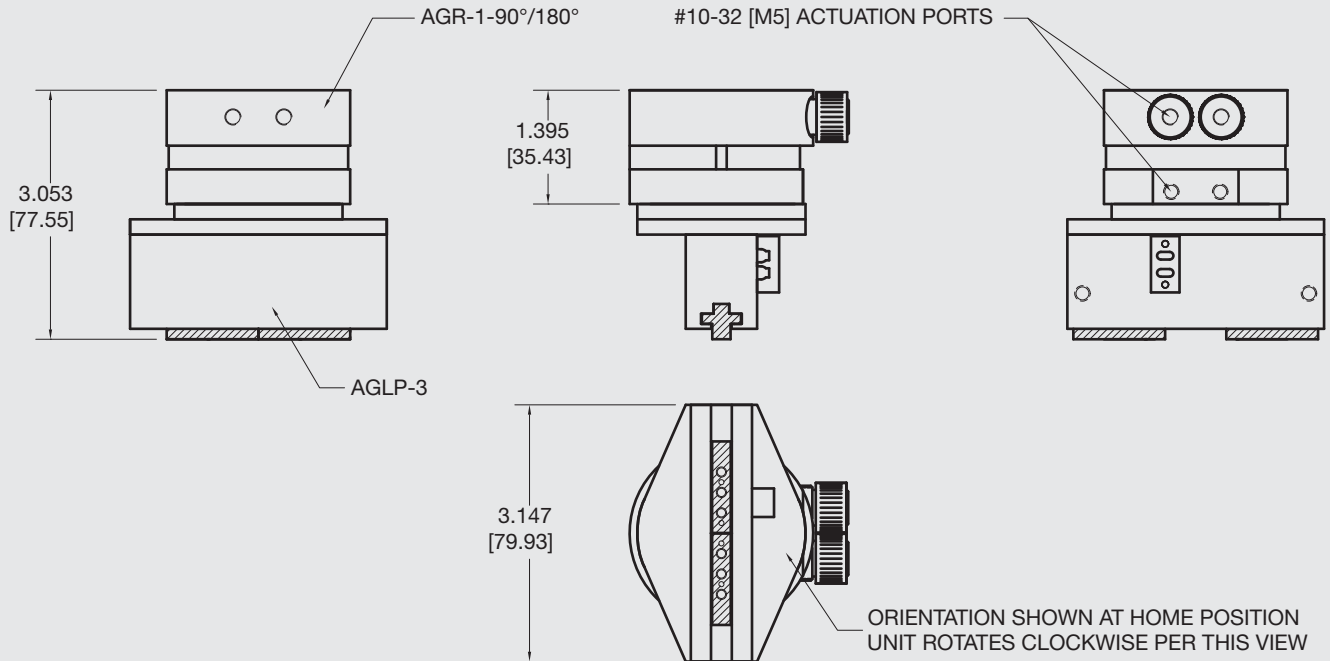


Refer to catalog for individual product specifications

### MODULE CALLOUTS

AGM-65 = AGR-1-90° + AGLP-3

AGM-66 = AGR-1-180° + AGLP-3



### QUICK TECHNICALS

**Payload Capacity of Rotary Assembly:** = (1) AGLP-3 Gripper + 11 oz.

**Gripper:** AGLP-3  
**Stroke:** 0.750 in.  
**Closing/Opening:** 14/14 lbs/in<sup>2</sup>  
**Piston Bore:** 0.700 in.

**Rotary:** AGR-1  
**Degree of Rotation:** 90°/180°  
**Piston Bore:** (2) x 0.500 in.

**Assembly Weight w/o Payload:** 12 oz.



Refer to catalog for individual product specifications

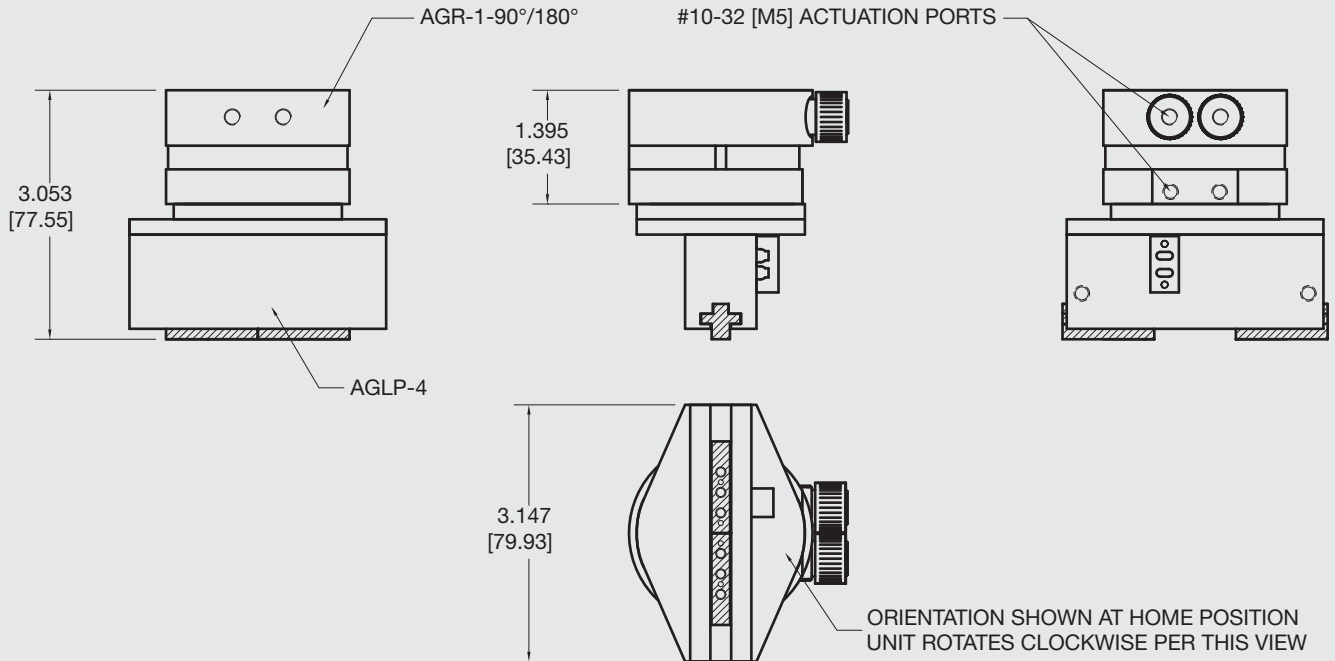
# AGM-67/AGM-68 Module

## Light Duty 11 oz. Payload

### MODULE CALLOUTS

AGM-67 = AGR-1-90° + AGLP-4

AGM-68 = AGR-1-180° + AGLP-4



### QUICK TECHNICALS

**Payload Capacity of Rotary Assembly:** = (1) AGLP-4 Gripper + 11 oz.

**Gripper:** AGLP-4  
**Stroke:** 0.750 in.  
**Closing/Opening:** 14/14 lbs/in<sup>2</sup>  
**Piston Bore:** 0.700 in.

**Rotary:** AGR-1  
**Degree of Rotation:** 90°/180°  
**Piston Bore:** (2) x 0.500 in.

**Assembly Weight w/o Payload:** 12 oz.

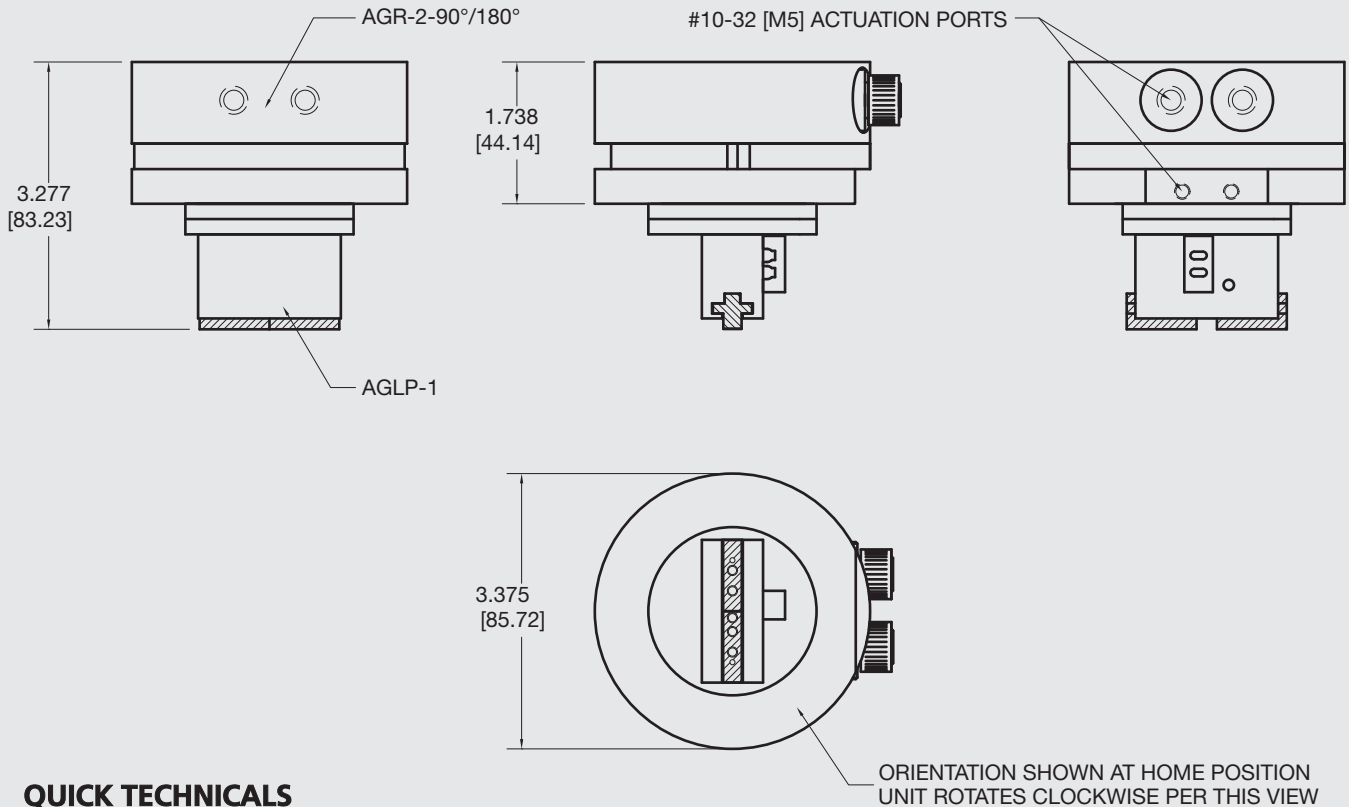
Refer to catalog for individual product specifications



### MODULE CALLOUTS

AGM-69 = AGR-2-90° + AGLP-1

AGM-70 = AGR-2-180° + AGLP-1



### QUICK TECHNICALS

**Payload Capacity of Rotary Assembly:** = (1) AGLP-1 Gripper + 46 oz.

**Gripper:** AGLP-1  
**Stroke:** 0.250 in.  
**Closing/Opening:** 10/10 lbs/in<sup>2</sup>  
**Piston Bore:** 0.625 in.

**Rotary:** AGR-2  
**Degree of Rotation:** 90°/180°  
**Piston Bore:** (2) x 0.750 in.

**Assembly Weight w/o Payload:** 20 oz.



Refer to catalog for individual product specifications

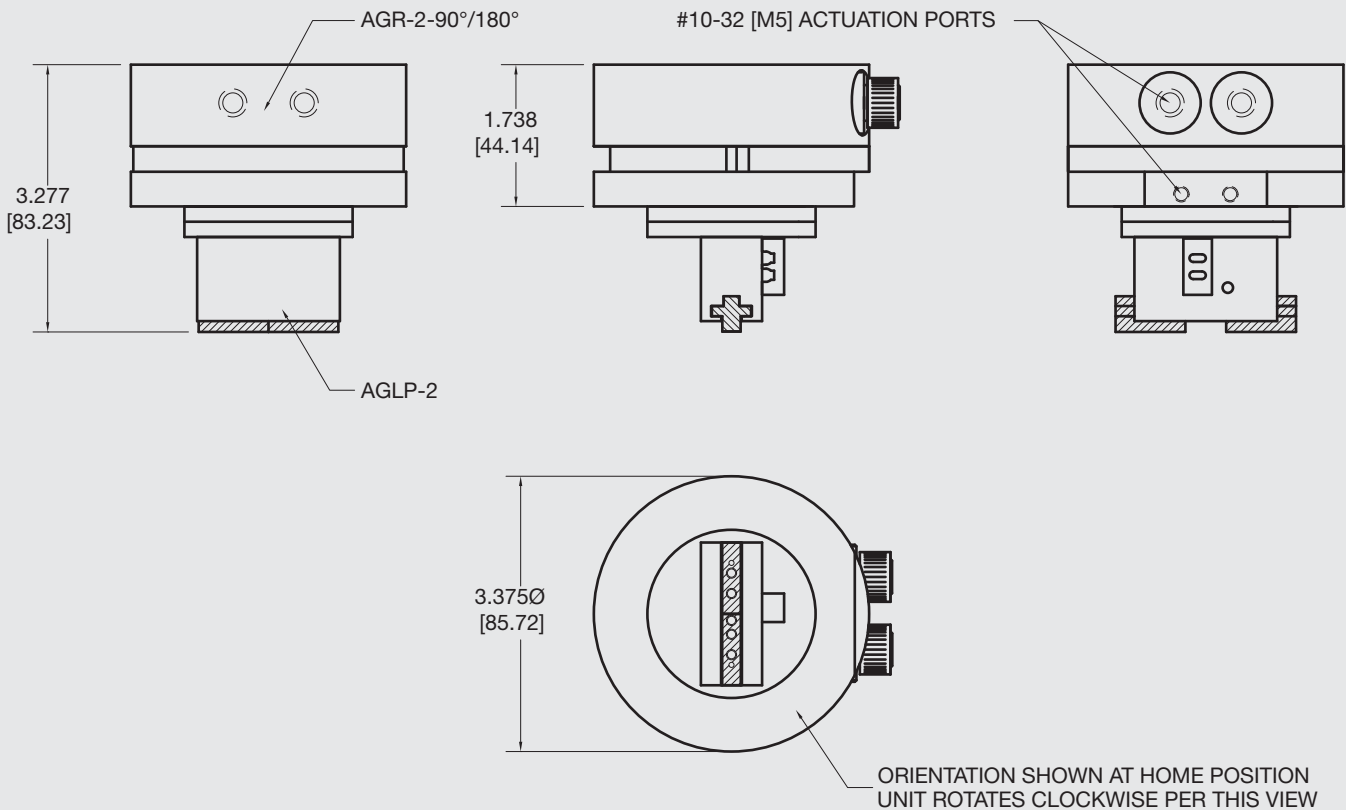
# AGM-71/AGM-72 Module

## Light Duty 46 oz. Payload

### MODULE CALLOUTS

AGM-71 = AGR-2-90° + AGLP-2

AGM-72 = AGR-2-180° + AGLP-2



### QUICK TECHNICALS

**Payload Capacity of Rotary Assembly:** = (1) AGLP-2 Gripper + 46 oz.

**Gripper:** AGLP-2  
**Stroke:** 0.250 in.  
**Closing/Opening:** 10/10 lbs/in<sup>2</sup>  
**Piston Bore:** 0.625 in.

**Rotary:** AGR-2  
**Degree of Rotation:** 90°/180°  
**Piston Bore:** (2) x 0.750 in.

**Assembly Weight w/o Payload:** 20 oz.

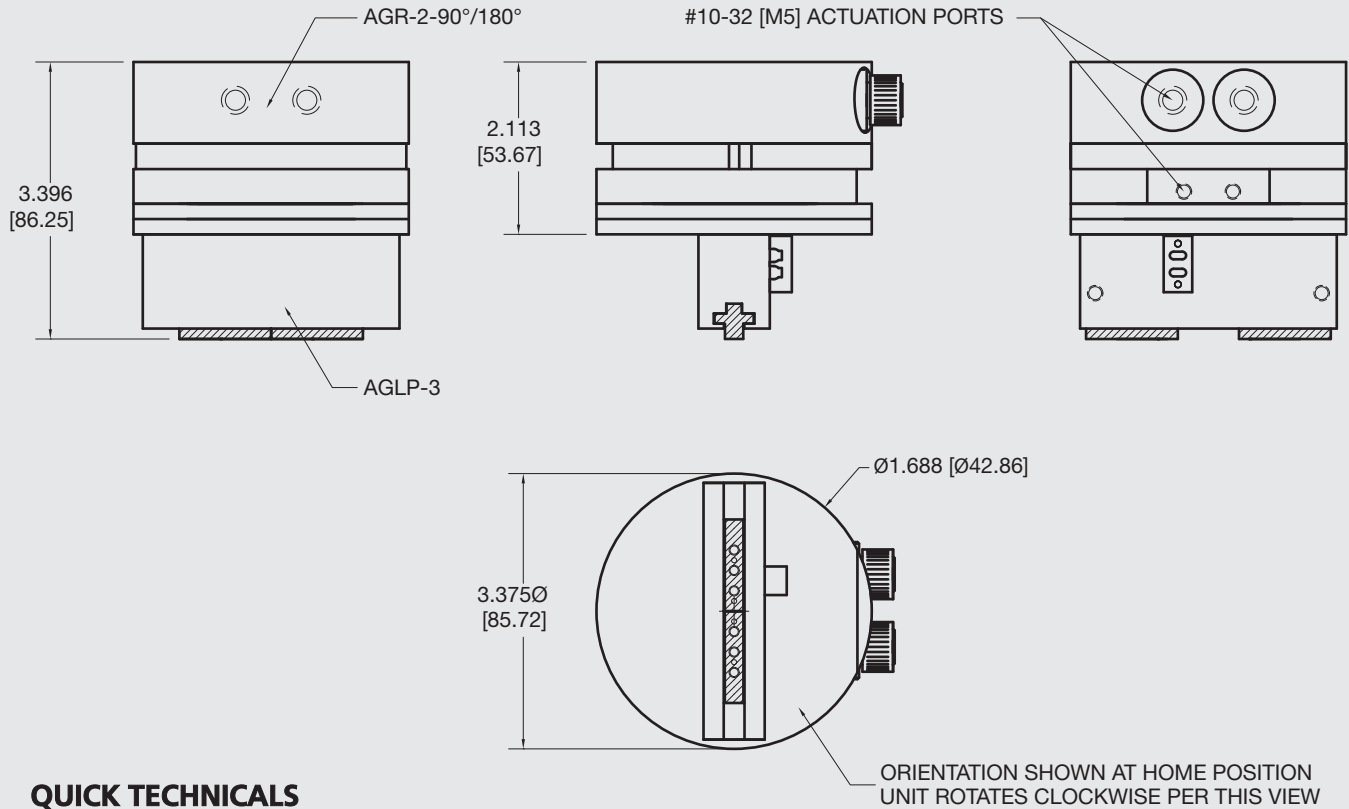


Refer to catalog for individual product specifications

### MODULE CALLOUTS

AGM-73 = AGR-2-90° + AGLP-3

AGM-74 = AGR-2-180° + AGLP-3



### QUICK TECHNICALS

**Payload Capacity of Rotary Assembly:** = (1) AGLP-3 Gripper + 43 oz.

**Gripper:** AGLP-3  
**Stroke:** 0.750 in.  
**Closing/Opening:** 14/14 lbs/in<sup>2</sup>  
**Piston Bore:** 0.700 in.

**Rotary:** AGR-2  
**Degree of Rotation:** 90°/180°  
**Piston Bore:** (2) x 0.750 in.

**Assembly Weight w/o Payload:** 23 oz.



Refer to catalog for individual product specifications

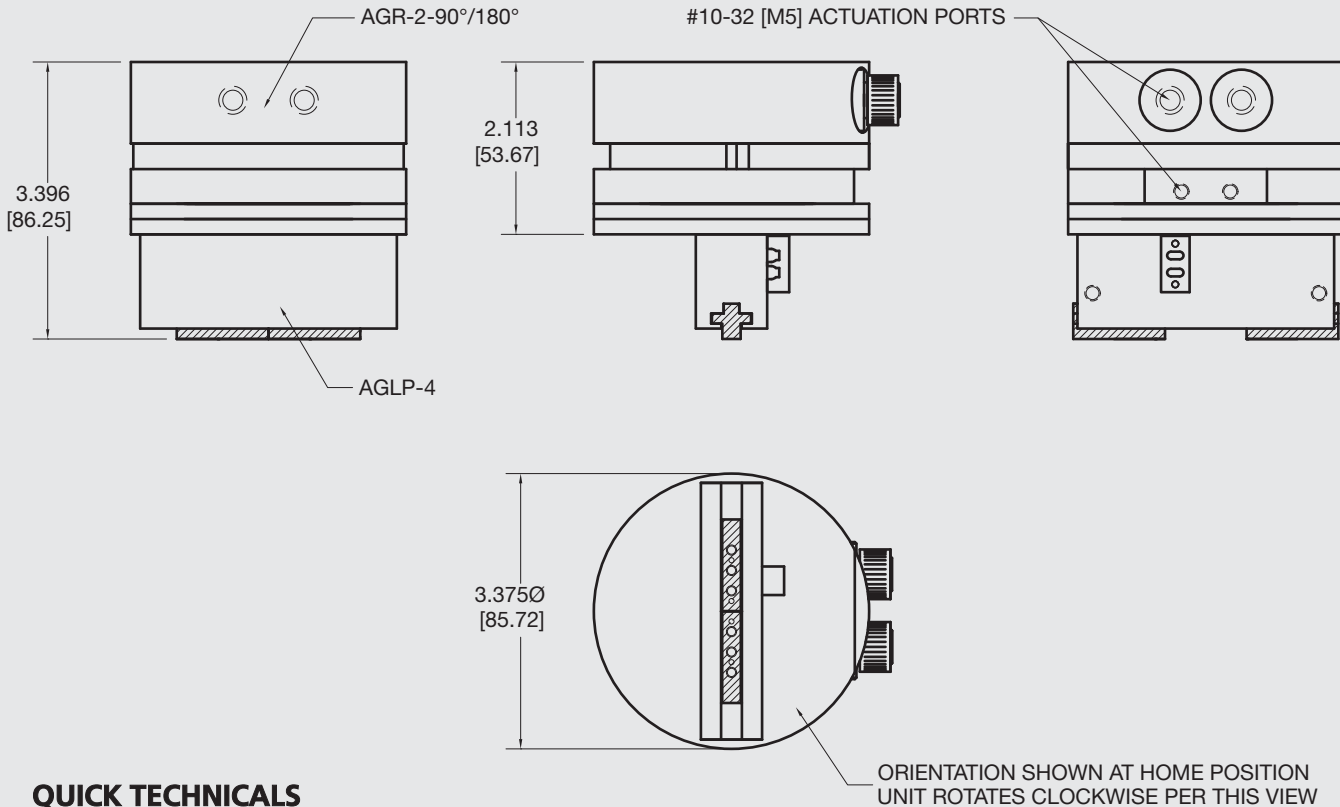
# AGM-75/AGM-75 Module

## Light Duty 43 oz. Payload

### MODULE CALLOUTS

AGM-75 = AGR-2-90° + AGLP-4

AGM-76 = AGR-2-180° + AGLP-4



### QUICK TECHNICALS

**Payload Capacity of Rotary Assembly:** = (1) AGLP-4 Gripper + 43 oz.

**Gripper:** AGLP-4  
**Stroke:** 0.750 in.  
**Closing/Opening:** 14/14 lbs/in<sup>2</sup>  
**Piston Bore:** 0.700 in.

**Rotary:** AGR-2  
**Degree of Rotation:** 90°/180°  
**Piston Bore:** (2) x 0.750 in.

**Assembly Weight w/o Payload:** 23 oz.



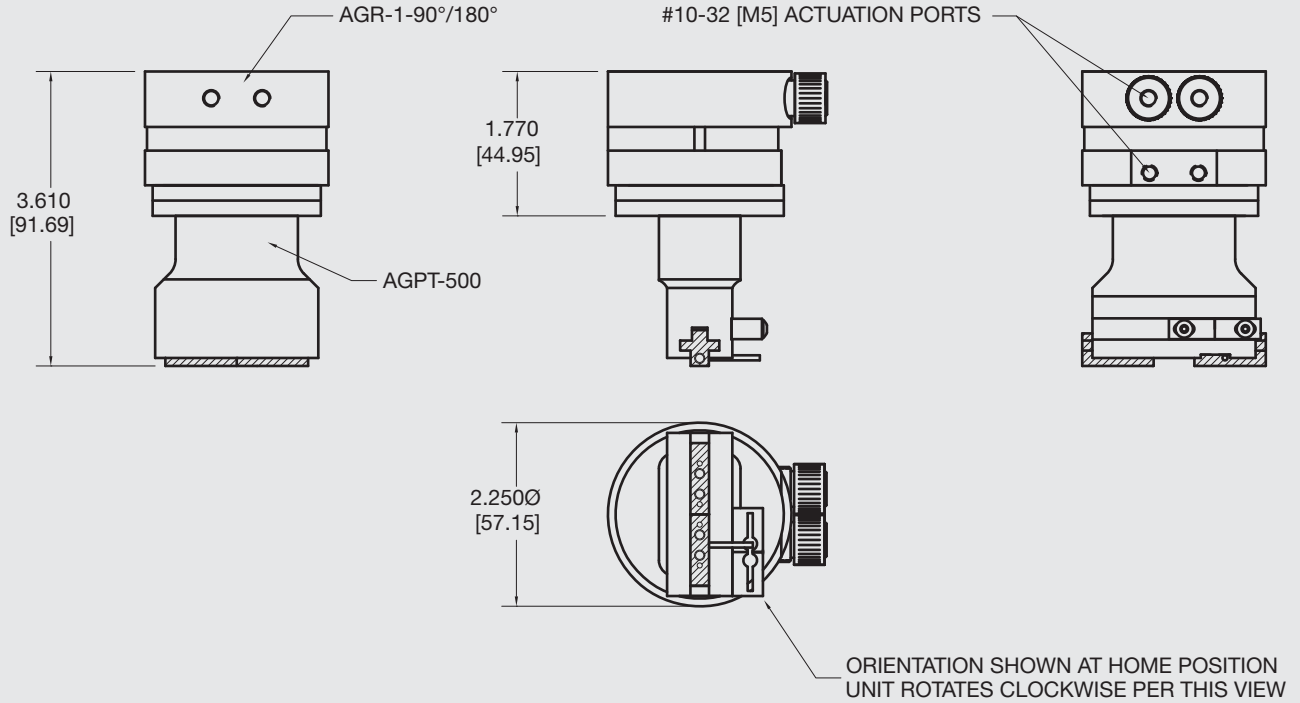
Refer to catalog for individual product specifications



### MODULE CALLOUTS

AGM-77 = AGR-1-90° + AGPT-500

AGM-78 = AGR-1-180° + AGPT-500



### QUICK TECHNICALS

**Payload Capacity of Rotary Assembly:** = (1) AGPT-500 Gripper + 11 oz.

**Gripper:** AGPT-500

**Stroke:** 0.500 in.

**Closing/Opening:** 10/12 lbs/in<sup>2</sup>

**Piston Bore:** 0.625 in.

**Rotary:** AGR-1

**Degree of Rotation:** 90°/180°

**Piston Bore:** (2) x 0.500 in.

**Assembly Weight w/o Payload:** 12 oz.



Refer to catalog for individual product specifications

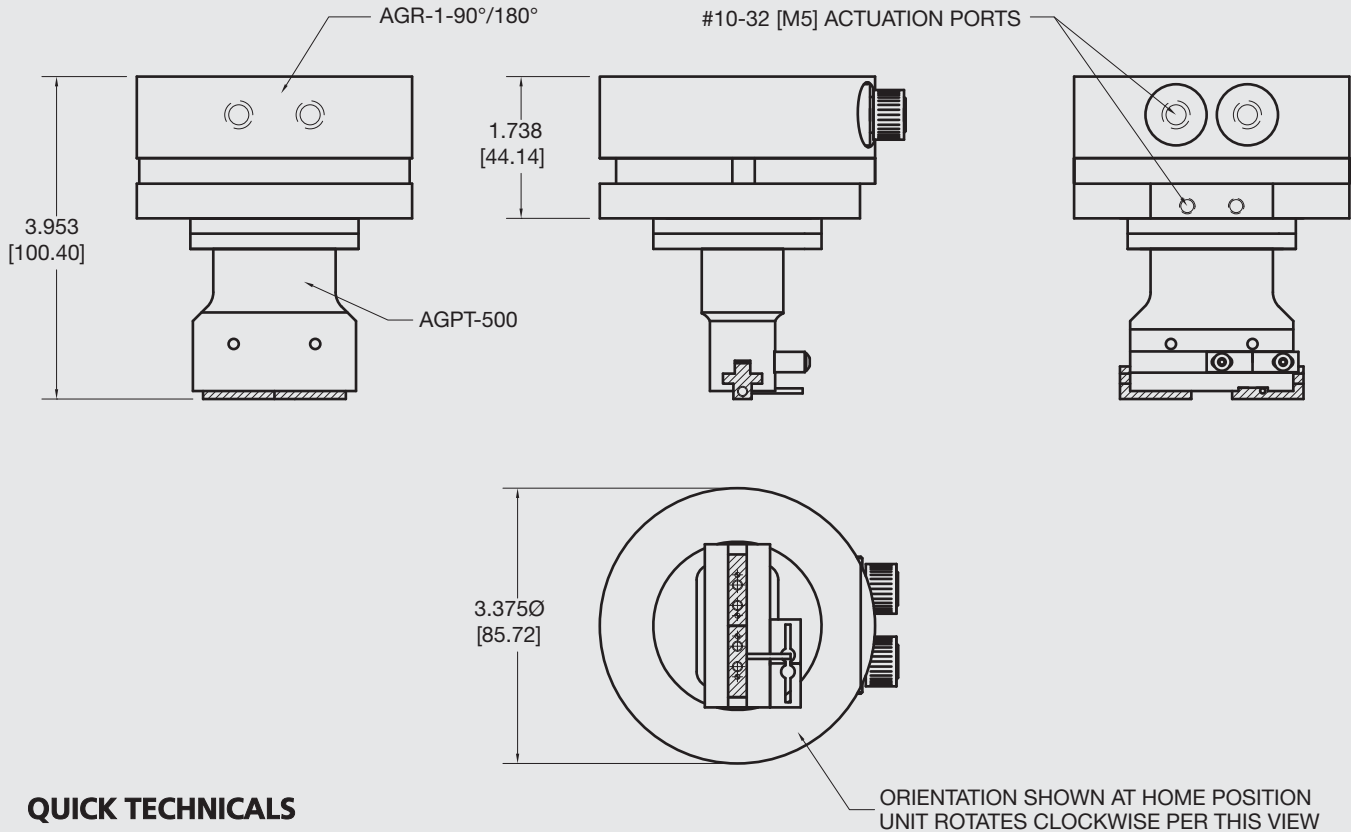
# AGM-79/AGM-80 Module

## Light Duty 43 oz. Payload

### MODULE CALLOUTS

AGM-79 = AGR-2-90° + AGPT-500

AGM-80 = AGR-2-180° + AGPT-500



### QUICK TECHNICALS

**Payload Capacity of Rotary Assembly:** = (1) AGPT-500 Gripper + 43 oz.

**Gripper:** AGPT-500  
**Stroke:** 0.500 in.  
**Closing/Opening:** 10/12 lbs/in<sup>2</sup>  
**Piston Bore:** 0.625 in.

**Rotary:** AGR-2  
**Degree of Rotation:** 90°/180°  
**Piston Bore:** (2) x 0.750 in.

**Assembly Weight w/o Payload:** 23 oz.

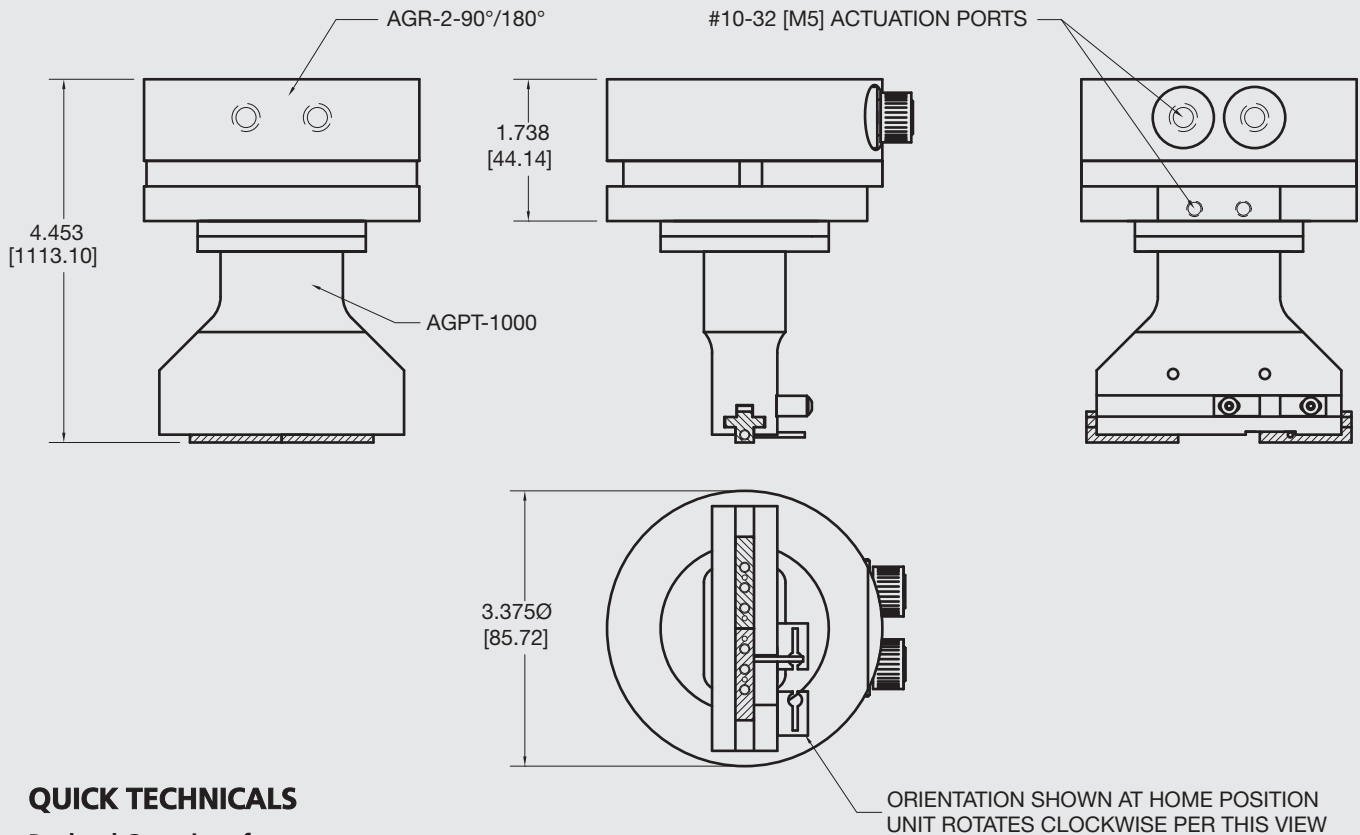


Refer to catalog for individual product specifications

### MODULE CALLOUTS

AGM-81 = AGR-2-90° + AGPT-1000

AGM-82 = AGR-2-180° + AGPT-1000



### QUICK TECHNICALS

**Payload Capacity of Rotary Assembly:** = (1) AGPT-1000 Gripper + 43 oz.

**Gripper:** AGPT-1000  
**Stroke:** 1.000 in.  
**Closing/Opening:** 15/17 lbs/in<sup>2</sup>  
**Piston Bore:** 0.750 in.

**Rotary:** AGR-2  
**Degree of Rotation:** 90°/180°  
**Piston Bore:** (2) x 0.750 in.

**Assembly Weight w/o Payload:** 26 oz.



Refer to catalog for individual product specifications

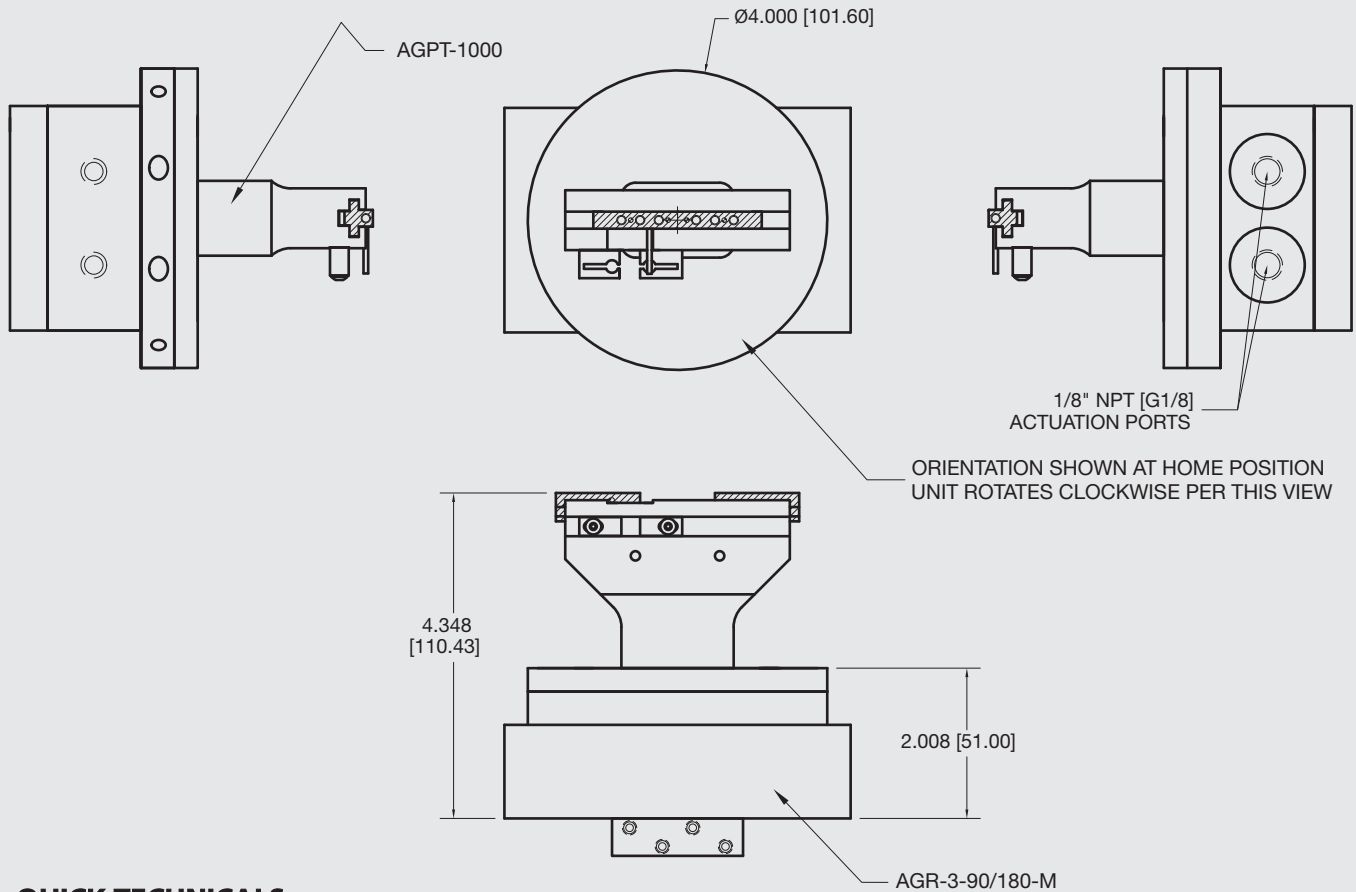
# AGM-83/AGM-84 Module

## Medium Duty 120 oz. Payload

### MODULE CALLOUTS

AGM-83 = AGR-3-90° + AGPT-1000

AGM-84 = AGR-3-180° + AGPT-1000



### QUICK TECHNICALS

**Payload Capacity of Rotary Assembly:** = (1) AGPT-1000 Gripper + 120 oz.

**Gripper:** AGPT-1000  
**Stroke:** 1.000 in.  
**Closing/Opening:** 15/17 lbs/in<sup>2</sup>  
**Piston Bore:** 0.750 in.

**Rotary:** AGR-3  
**Degree of Rotation:** 90°/180°  
**Piston Bore:** (2) x 1.000 in.

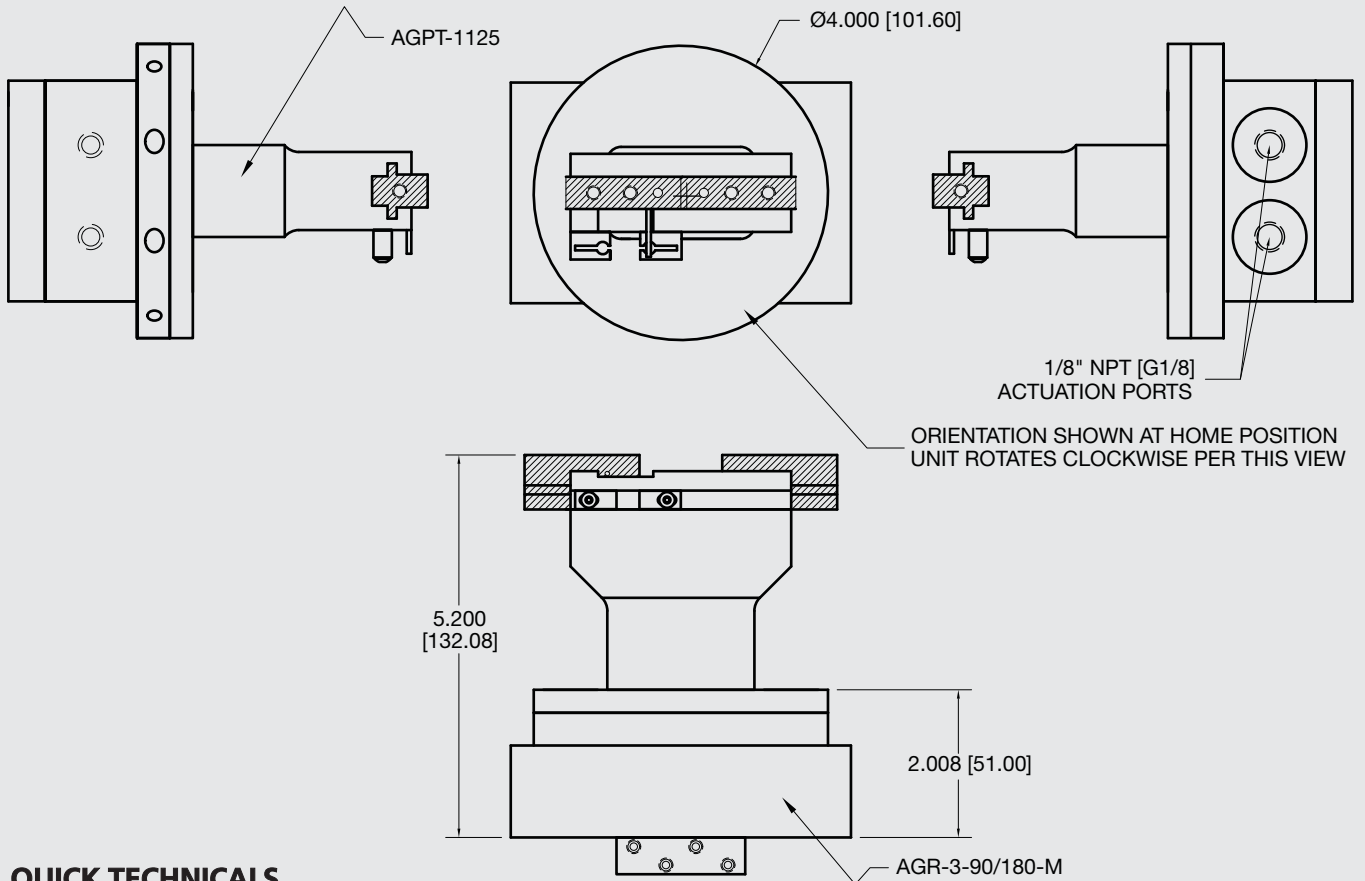
**Assembly Weight w/o Payload:** 56 oz.



Refer to catalog for individual product specifications

### MODULE CALLOUTS

AGM-85 = AGR-3-90° + AGPT-1125  
 AGM-86 = AGR-3-180° + AGPT-1125



### QUICK TECHNICALS

**Payload Capacity of Rotary Assembly:** = (1) AGPT-1125 Gripper + 112 oz.

**Gripper:** AGPT-1125  
**Stroke:** 1.125 in.  
**Closing/Opening:** 30/27 lbs/in<sup>2</sup>  
**Piston Bore:** 1.000 in.

**Rotary:** AGR-3  
**Degree of Rotation:** 90°/180°  
**Piston Bore:** (2) x 1.000 in.

**Assembly Weight w/o Payload:** 64 oz.



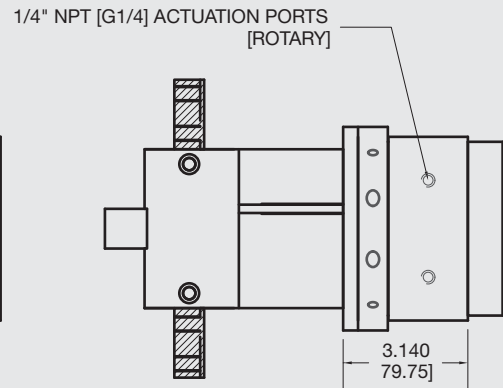
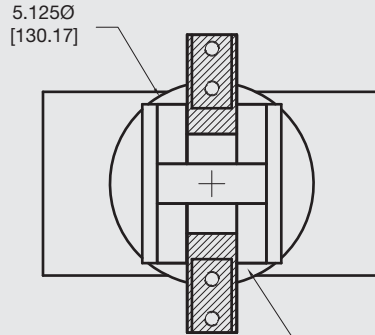
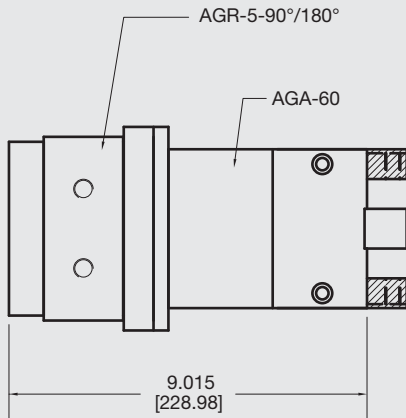
Refer to catalog for individual product specifications

# AGM-87/AGM-88 Module

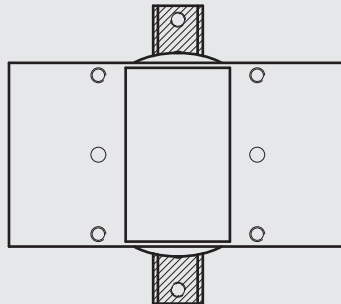
## Heavy Duty 384 oz. Payload

### MODULE CALLOUTS

AGM-87 = AGR-5-90° + AGA-60  
 AGM-88 = AGR-5-180° + AGA-60



ORIENTATION SHOWN AT HOME POSITION  
 UNIT ROTATES CLOCKWISE PER THIS VIEW



### QUICK TECHNICALS

**Payload Capacity of Rotary Assembly:** = (1) AGA-60 Gripper + 384 oz.

**Gripper:** AGA-60  
**Stroke:** 0-180° ADJ.  
**Closing/Opening:** 820/691 lbs/in<sup>2</sup>  
**Piston Bore:** 3.000 in.

**Rotary:** AGR-5  
**Degree of Rotation:** 90°/180°  
**Piston Bore:** (2) x 1.625 in.

**Assembly Weight w/o Payload:** 232 oz.



Refer to catalog for individual product specifications