



LOAD LIMITER

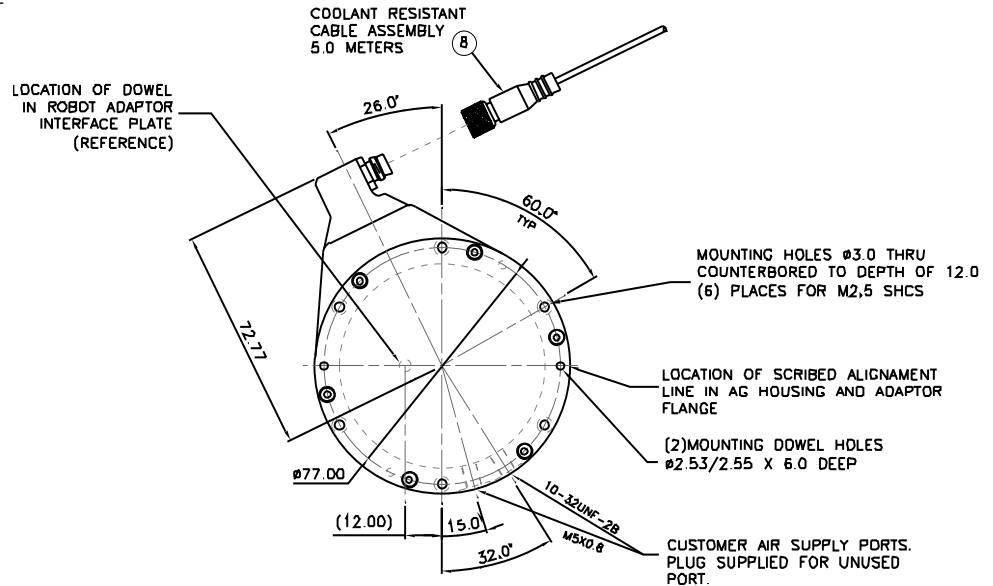
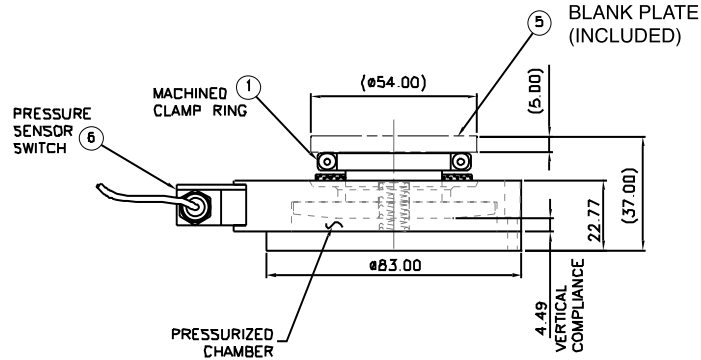
LOW PROFILE - VARIABLE TRIP POINTS

AGO-4



Download 2 & 3D CAD Drawings:
www.AGI-AUTOMATION.com

DIMENSIONAL DRAWING

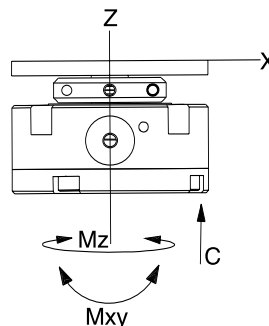


NOTE: Dimensions are metric.

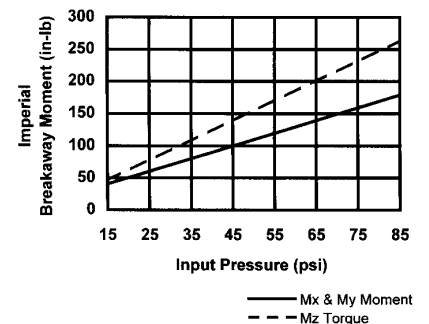
SPECIFICATIONS

- Design** Non-resistive compliancy upon impact
- Rotation Range** 360° unlimited torsional rotation
- Torque** (Continuously Variable)
 - Max. Breakaway Mom. M_x .. 180 in-lb
 - Max. Breakaway Mom. M_y .. 180 in-lb
 - Max. Breakaway Mom. M_z .. 270 in-lb
 - Min/Max Breakaway
 - Compressive C 52/311 lb
- Avg. Response Time** ... 4 - 7 ms
- Pressure Range**
 - Low 14 psi
 - High 90 psi
- Temperature Range**
 - Low -32° F
 - High 158° F
- Repeatability**
 - X and Y ± 0.001 in
 - Z ± 0.0005 in
 - Rotational ± 0.024°
- Compliance Angle** (x,y) ± 5°
- Axial Compliance (Z+)** .. ± 0.177 in
- Switch Description** 3 amps; 24 VDC; High-reliability aircraft snap acting type
- Material** High-strength; Hard-coated aluminum alloys; Stainless Steel
- Weight** 1.0 lb

LOADING INFORMATION



BREAKAWAY MOMENT



TO ORDER OR FOR MORE INFORMATION, PLEASE CALL (203) 459-8345, FAX (203) 452-5943
VISIT OUR WEBSITE AT: WWW.AGI-AUTOMATION.COM