



# LOAD LIMITER

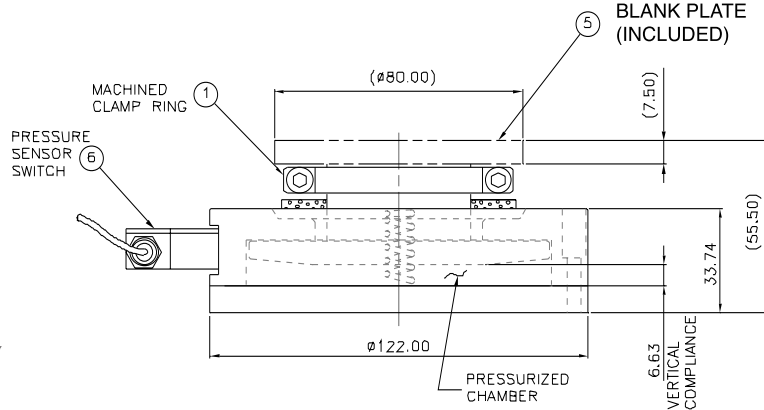
## LOW PROFILE -VARIABLE TRIP POINTS

# AGO-6



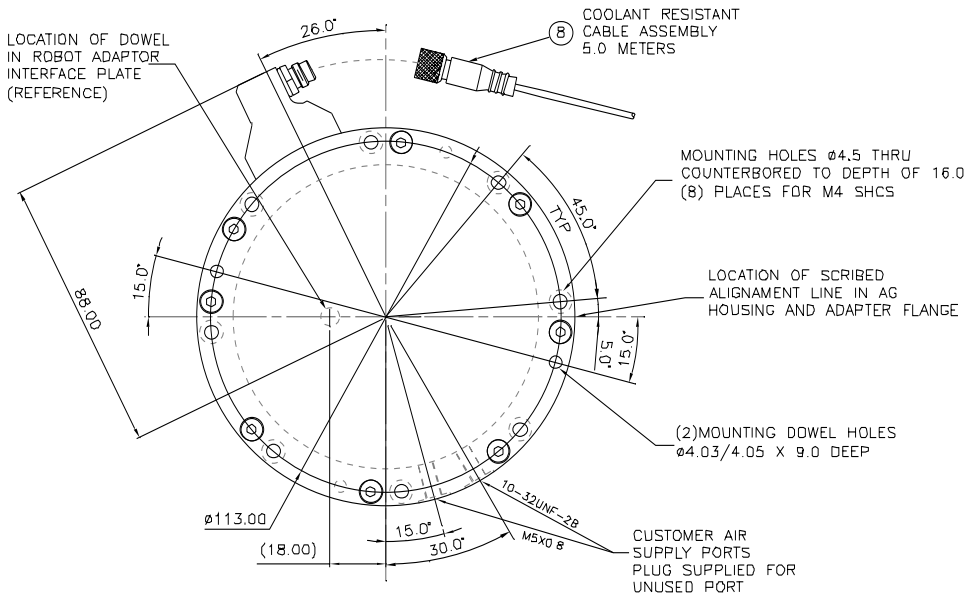
Download 2 & 3D CAD Drawings:  
www.AGI-AUTOMATION.com

### DIMENSIONAL DRAWING



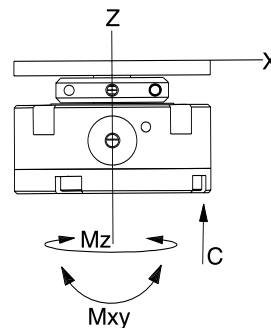
### SPECIFICATIONS

- Design** ..... Non-resistive compliancy upon impact
- Rotation Range** ..... 360° unlimited torsional rotation
- Torque** (Continuously Variable)
  - Max. Breakaway Mom.  $M_x$  .. 566 in-lb
  - Max. Breakaway Mom.  $M_y$  .. 566 in-lb
  - Max. Breakaway Mom.  $M_z$  .. 749 in-lb
  - Min/Max Breakaway
  - Compressive C ..... 113/676 lb
- Avg. Response Time** ... 4 - 8 ms
- Pressure Range**
  - Low ..... 14 psi
  - High ..... 90 psi
- Temperature Range**
  - Low ..... -32°F
  - High ..... 212°F
- Repeatability**
  - X and Y..... ± 0.001 in
  - Z ..... ± 0.0005 in
  - Rotational ..... ± 0.024°
- Compliance Angle** (x,y) ..... ± 5°
- Axial Compliance (Z+)** .. ± 0.265 in
- Switch Description** ..... 3 amps; 24 VDC; High-reliability aircraft snap acting type
- Material** ..... High-strength; Hard-coated aluminum alloys; Stainless Steel
- Weight** ..... 2.9 lb

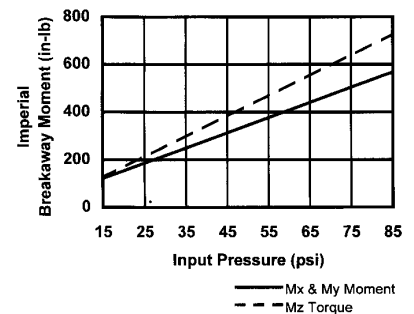


**NOTE: Dimensions are metric.**

### LOADING INFORMATION



### BREAKAWAY MOMENT



**TO ORDER OR FOR MORE INFORMATION, PLEASE CALL (203) 459-8345, FAX (203) 452-5943  
VISIT OUR WEBSITE AT: WWW.AGI-AUTOMATION.COM**