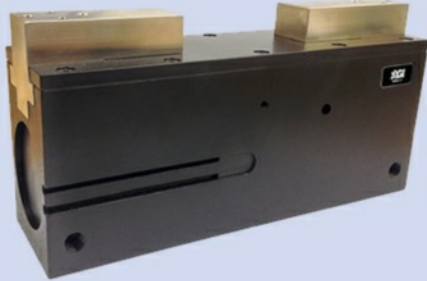




# AGLP-16 Parallel Gripper

## T-Slot Bearing Series, Low Profile



### FEATURES AND BENEFITS

- Jaws are T-Slot bearing supported to prevent jaw breakage and offer superior load bearing performance.
- Rugged rack and pinion synchronizing.
- High gripping force to weight ratio.
- Compact design with long stroke.
- True parallel jaw motion for easy tooling.
- Units are permanently lubricated for non-lube air operation, allowing for compliance with OSHA regulations.
- Hall effect sensors are available to monitor open and closed position of the jaws.
- AGLP is fully field repairable for cost savings and minimum down time

### SPECIFICATIONS

**Design:** Parallel, Double Acting, Synchronized Jaws

**Stroke:** 1.0, 2.0, 3.0 in [00.0 mm]

**Gripping Force @ 80 PSI [5.5 BAR]**

Closing: 120 lbs [00 N]  
 Opening: 120 lbs [00 N]

**Time:**

Close: 0.30 sec [0.00 sec]  
 Open: 0.30 sec [0.00 sec]

**Pressure Range:**

Low/High 10-120 PSI [.7-7 BAR]

**Temperature Range:**

Low/High -20/ 180F [-28/ 80C ]

**Side Play:** ±0.000 [.00mm]

**Loading Capacity:**

	Static	Dynamic
Max Tensile T	310 lbs [000 N]	103 lbs [000 N]
Max Compressive C	310 lbs [000N]	103 lbs [000 N]

Max Moment  $M_x$  785in/lb [0.0 Nm] 262 in/lb [0.0 Nm]

Max Moment  $M_y$  940 in/lb [00.0 Nm] 315 in/lb [0.0 Nm]

Max Moment  $M_z$  785in/lb [0.0 Nm] 262 in/lb [0.0Nm]

**Material:** High Strength,Hard Coated aluminum bronze alloys, Steel

**Weight:** 8 lb [000 g]

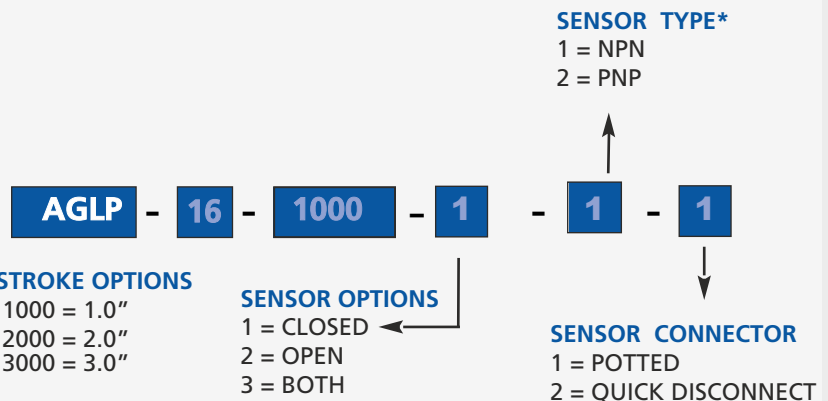
**Piston Diameter:** 2.000 in [00.0 mm]

PATENTED

Made in the USA

### HOW TO ORDER

When ordering, please specify:  
 Design/Model Number and Options.

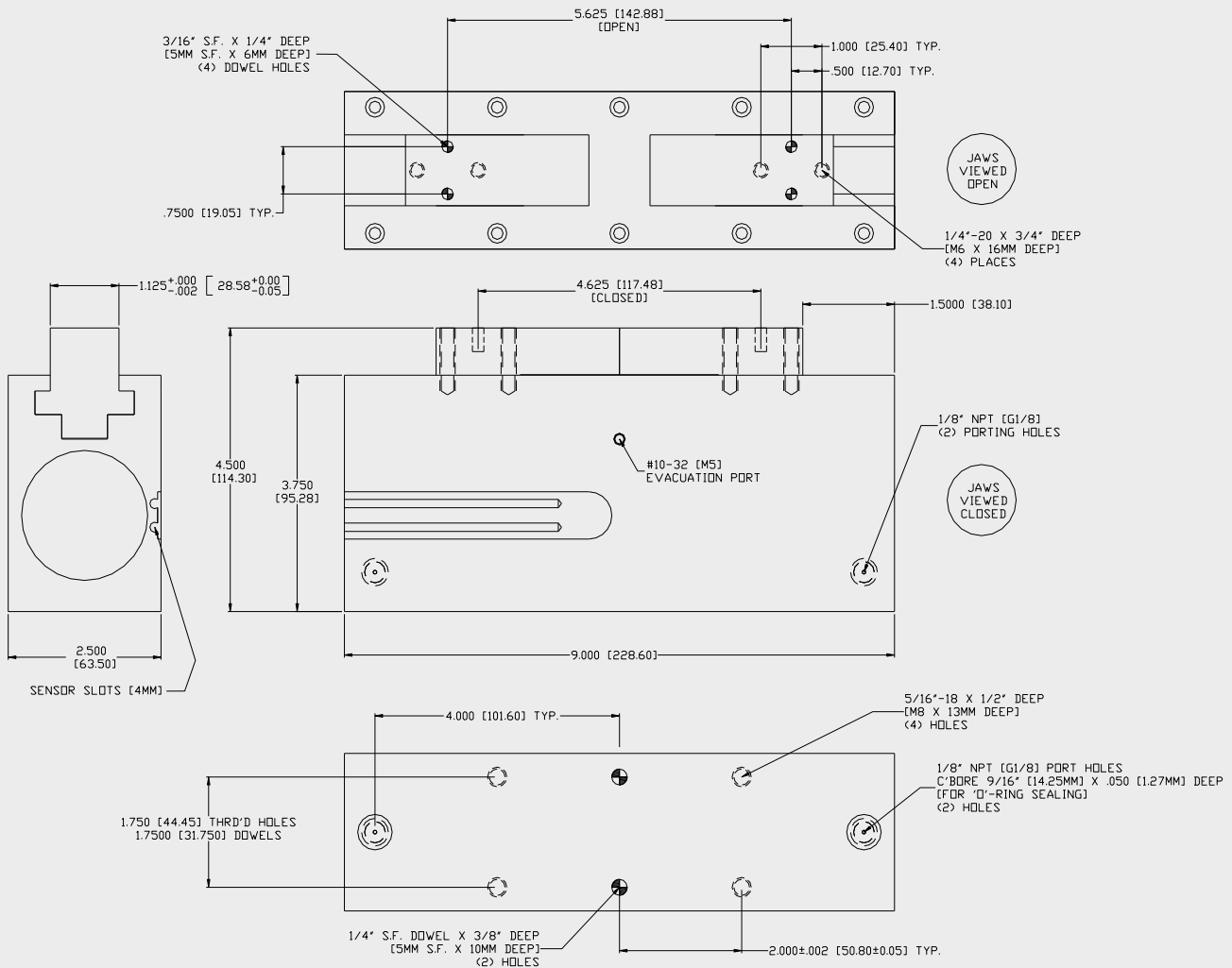


\* NOTE: Hall Effect 4mm dia., 5-24 VDC, 22 mA and comes with 2 meter cable or quick disc.

Sensor Part # SHN01, SHNQ3, SHP01, SHPQ3

# AGLP-16-1000 Parallel Gripper

## T-Slot Bearing Series, Low Profile



**Unless noted, all tolerances are as indicated here:**



All Dowel Holes are SF (Slip Fit) Locational Tolerance ± .0005" [0.13mm]



Metric Threads Course Pitch

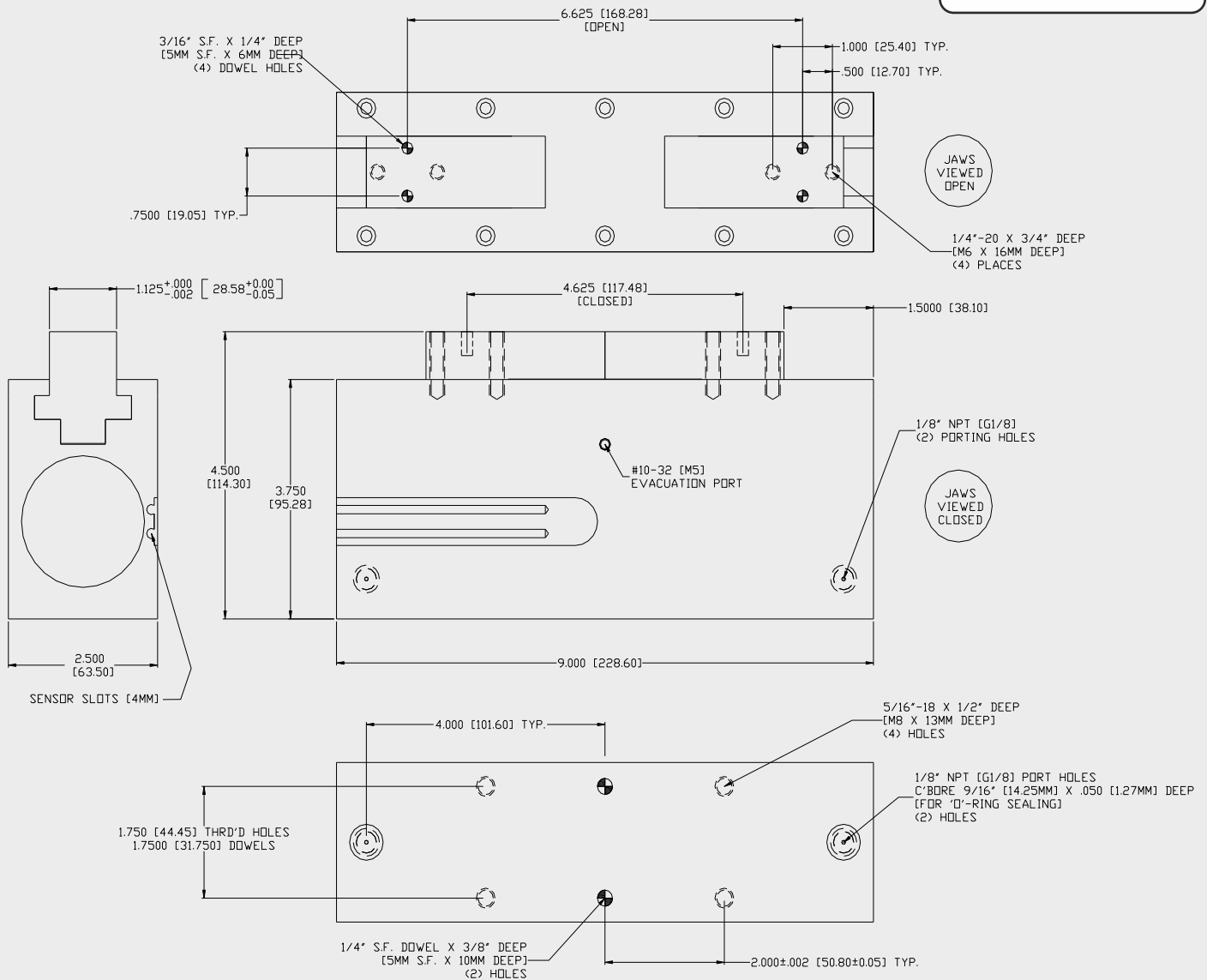
**Imperial:**  
Inch

0.00 = ±.01  
0.000 = ±.005  
0.0000 = ±.0005

**Metric:**  
[0.] = ±.25  
[0.0] = ±.13  
[0.00] = ±.013

# AGLP-16-2000 Parallel Gripper

## T-Slot Bearing Series, Low Profile



**Unless noted, all tolerances are as indicated here:**



All Dowel Holes are SF (Slip Fit) Locational Tolerance ± .0005" [.013mm]



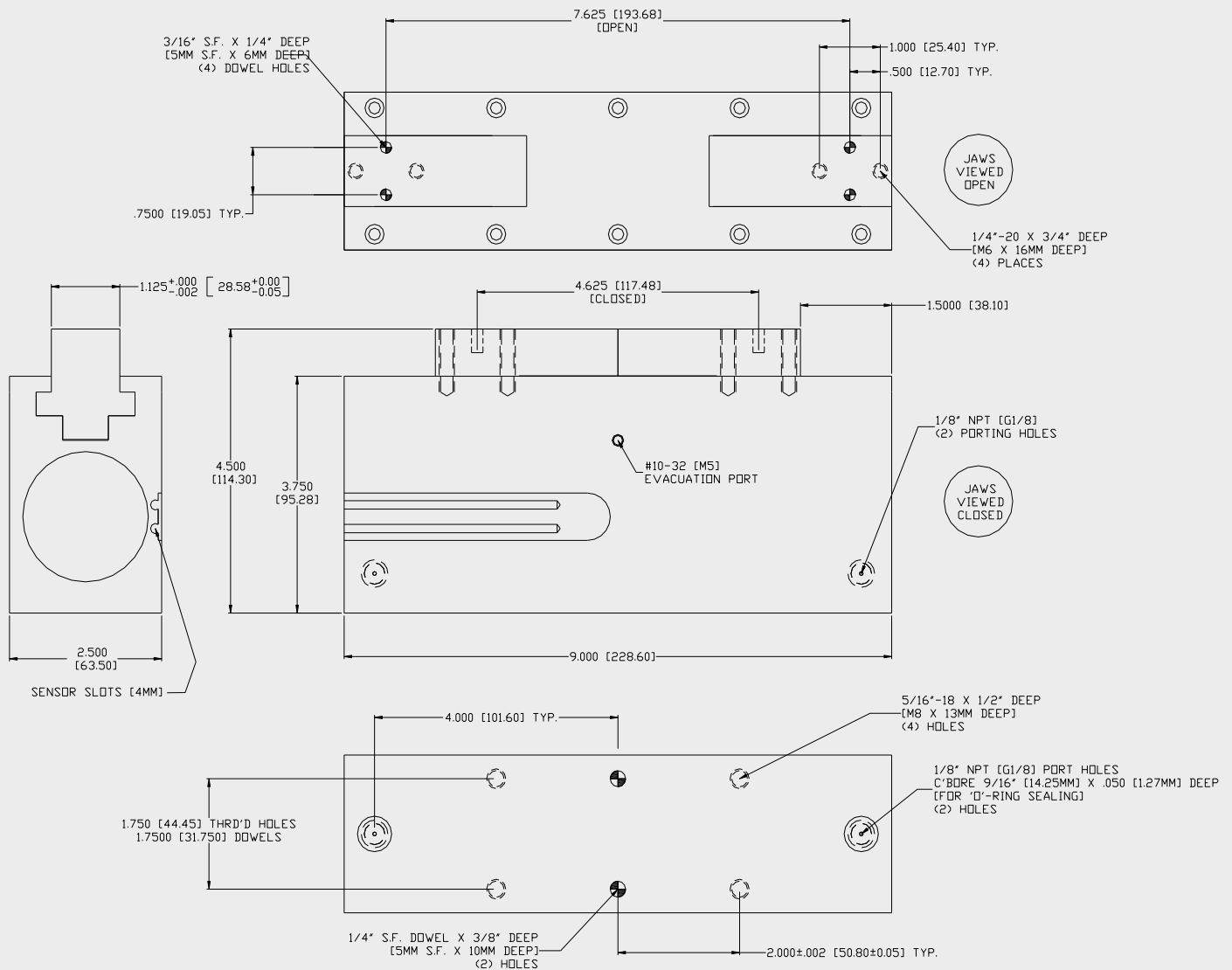
Metric Threads Course Pitch

**Imperial:**  
Inch 0.00 = ±.01  
0.000 = ±.005  
0.0000 = ±.0005

**Metric:** [0.] = ±.25  
[mm] [0.0] = ±.13  
[0.00] = ±.013

# AGLP-16-3000 Parallel Gripper

## T-Slot Bearing Series, Low Profile



**Unless noted, all tolerances are as indicated here:**



All Dowel Holes are SF (Slip Fit) Locational Tolerance ± .0005" [.013mm]



Metric Threads Course Pitch

**Imperial:**  
Inch 0.00 = ±.01  
0.000 = ±.005  
0.0000 = ±.0005

**Metric:** [0.] = ±.25  
[mm] [0.0] = ±.13  
[0.00] = ±.013