



# LOAD LIMITER

## LOW PROFILE -VARIABLE TRIP POINTS

# AGO-2

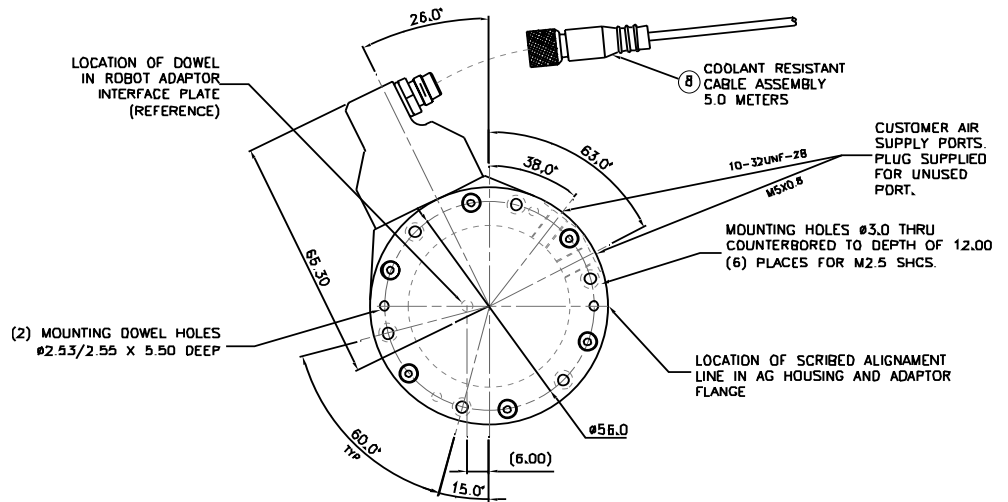
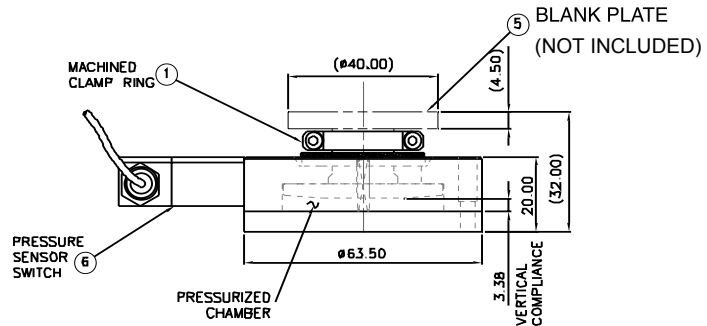
Download 2 & 3D CAD Drawings:  
www.AGI-AUTOMATION.com

**DIMENSIONAL DRAWING**



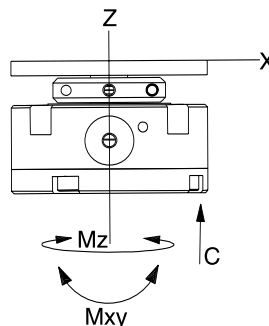
### SPECIFICATIONS

- Design** ..... Non-resistive compliancy upon impact
- Rotation Range** ..... 360° unlimited torsional rotation
- Torque** (Continuously Variable)
  - Max. Breakaway Mom.  $M_x$  .. 56 in-lb
  - Max. Breakaway Mom.  $M_y$  .. 56 in-lb
  - Max. Breakaway Mom.  $M_z$  .. 56 in-lb
  - Min/Max Breakaway
  - Compressive C ..... 20/120 lb
- Avg. Response Time** ... 2 - 6 ms
- Pressure Range**
  - Low ..... 14 psi
  - High ..... 90 psi
- Temperature Range**
  - Low ..... -32°F
  - High ..... 158°F
- Repeatability**
  - X and Y..... ± 0.001 in
  - Z ..... ± 0.001 in
  - Rotational ..... ± 0.024°
- Compliance Angle** (x,y) ..... ± 5°
- Axial Compliance (Z+)** .. ± 0.134 in
- Switch Description** ..... 3 amps; 24 VDC; High-reliability aircraft snap acting type
- Material** ..... High-strength; Hard-coated aluminum alloys; Stainless Steel
- Weight** ..... .56 lb

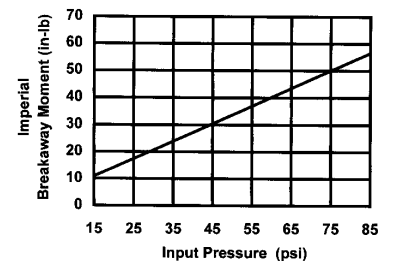


**NOTE: Dimensions are metric.**

### LOADING INFORMATION



### BREAKAWAY MOMENT



—  $M_x$  &  $M_y$  Moment and  $M_z$  Torque

**TO ORDER OR FOR MORE INFORMATION, PLEASE CALL (203) 459-8345, FAX (203) 452-5943  
VISIT OUR WEBSITE AT: WWW.AGI-AUTOMATION.COM**