



# AGP-23 Three Jaw Parallel Gripper

## T-Slot Bearing Series



### FEATURES AND BENEFITS

- Jaws are T-Slot bearing supported to prevent jaw breakage and offer superior load bearing performance.
- High gripping force to weight ratio.
- Compact design with long stroke.
- True parallel jaw motion for easy tooling.
- Units are permanently lubricated for non-lube air operation, allowing for compliance with OSHA regulations.
- Hall effect sensors are available to monitor open and closed position of the jaws.
- AGP is fully field repairable for cost savings and minimum down time.
- Multiple mounting surfaces on jaw for easy tooling.
- Optional stripper plate ensures part preload in location upon release.

### SPECIFICATIONS

**Design:** Parallel, Double Acting, Synchronized Jaws

**Stroke:** .30 in [7.6mm]

**Gripping Force @ 80 PSI [5.5 BAR]**

Closing: 29 lbs [129 N]

Opening: 26 lbs [115 N]

**Time:**

Close: 0.22 sec [0.22 sec]

Open: 0.22 sec [0.22 sec]

**Pressure Range:**

Low/High 30-120 PSI [2-8 BAR]

**Temperature Range:**

Low/High -20°/180°F [-28°/80°C]

**Side Play:**

± 0.001 [.03 mm]

**Repeatability**

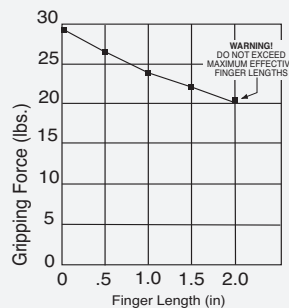
**from Center:** ± 0.002 [.06 mm]

**Loading Capacity:**

	<b>Static</b>	<b>Dynamic</b>
Max Tensile T	300 lbs [1300 N]	100 lbs [444 N]
Max Compressive C	300 lbs [1300 N]	100 lbs [444 N]

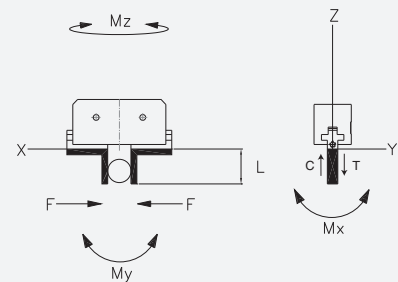
January 2009 - PATENTED Made in the USA

### HOLDING FORCES CHART



**WARNING!** Do not exceed tooling jaw length. See Chart above.

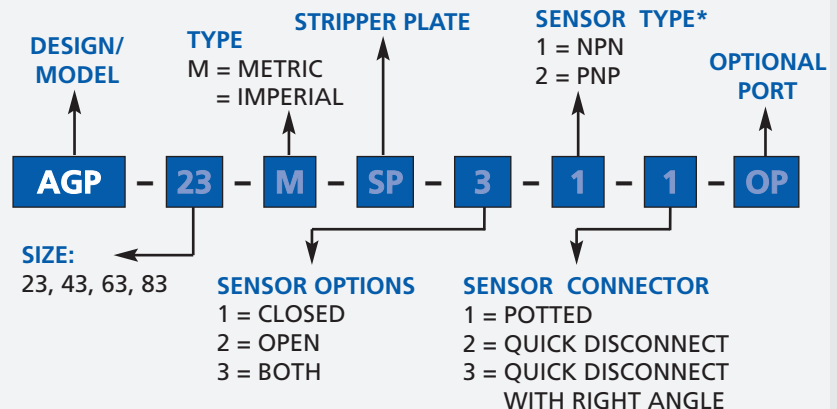
### LOADING INFORMATION



**LOOK!** More Technical specifications for sensors on "Sensors Accessories" page.

### HOW TO ORDER

When ordering, please specify: Design/Model Number and Options.

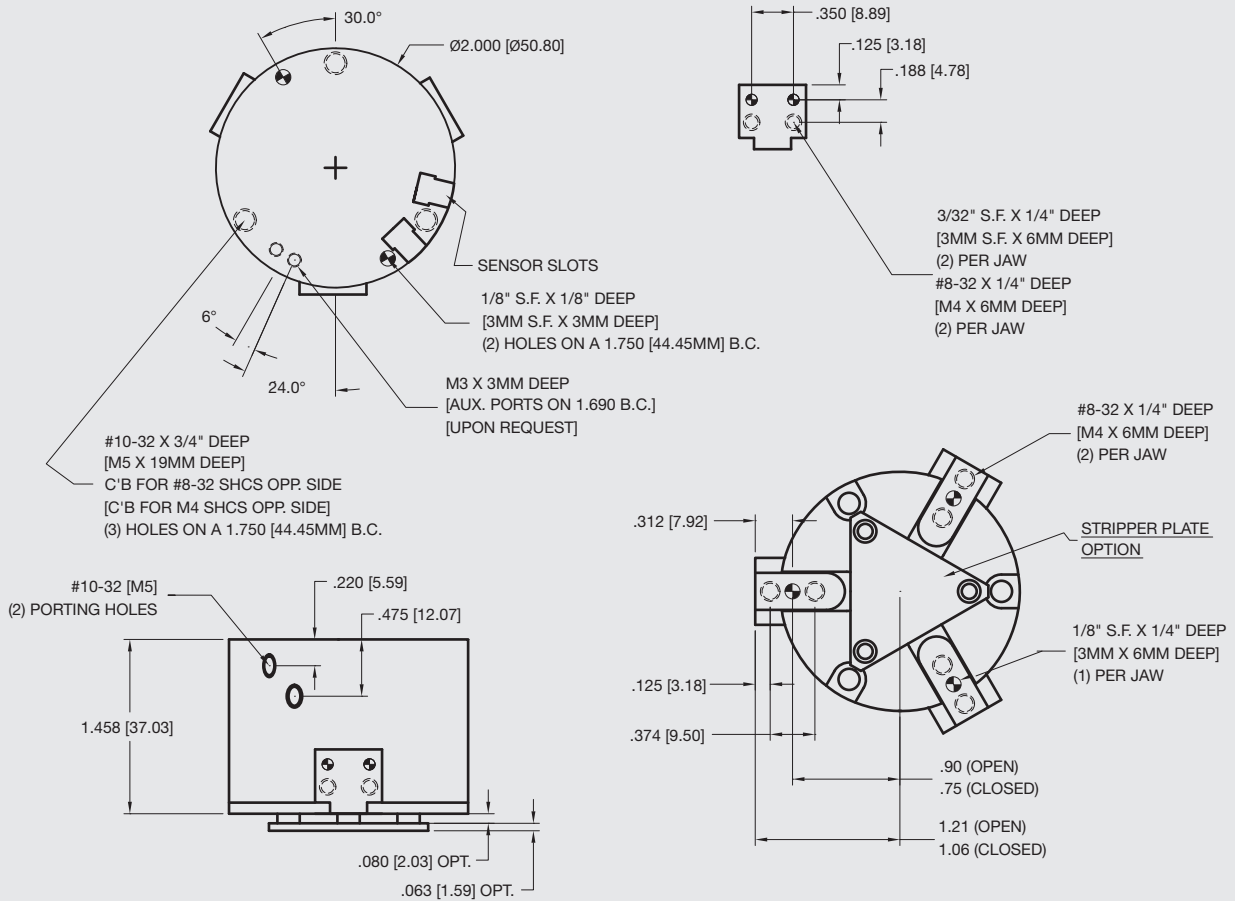


\* NOTE: Hall Effect 4mm dia., 5-24 VDC, 22 mA and comes with 2 meter cable.

Sensor Part # SHN02, SHNQ4, SHP02, SHPQ4

# AGP-23 Three Jaw Parallel Gripper

## T-Slot Bearing Series



**Unless noted, all tolerances are as indicated here:**



All Dowel Holes are SF (Slip Fit) Locational Tolerance ± .0005" [.013mm]



Metric Threads Course Pitch

**Imperial:**  
Inch

0.00 = ±.01  
0.000 = ±.005  
0.0000 = ±.0005

**Metric:**  
[mm]  
[0.] = ±.25  
[0.0] = ±.13  
[0.00] = ±.013