



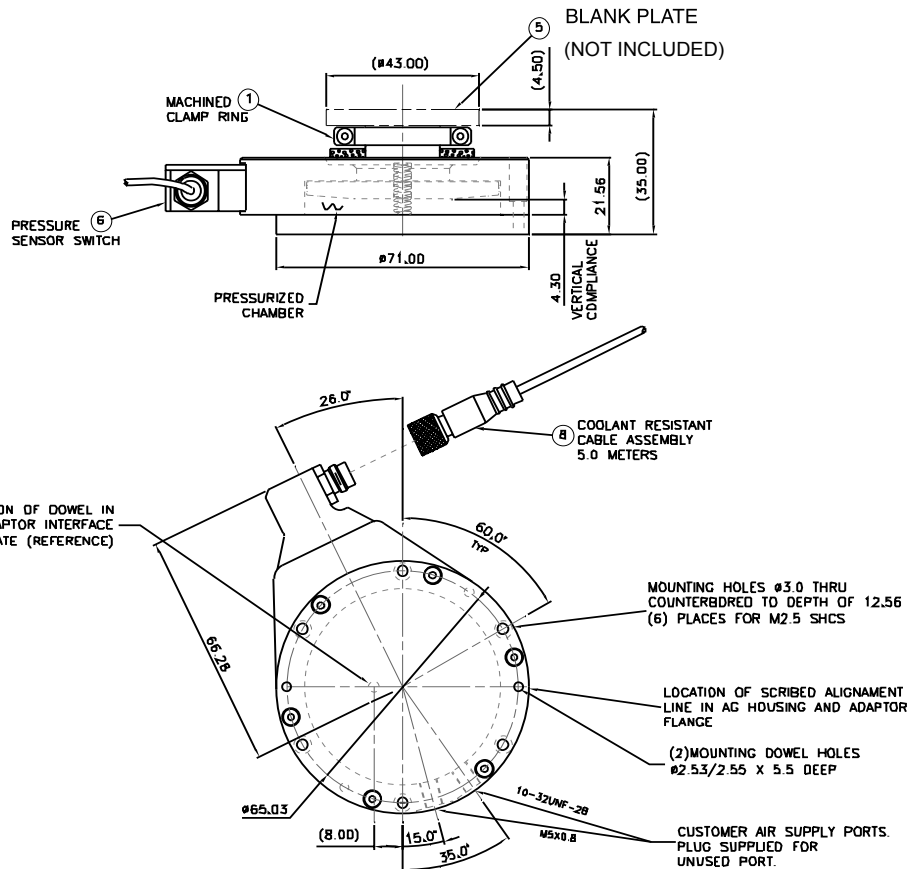
# LOAD LIMITER

## LOW PROFILE - VARIABLE TRIP POINTS

# AGO-3

Download 2 & 3D CAD Drawings:  
www.AGI-AUTOMATION.com

**DIMENSIONAL DRAWING**

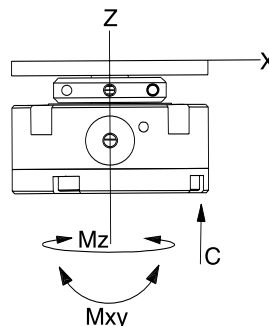


### SPECIFICATIONS

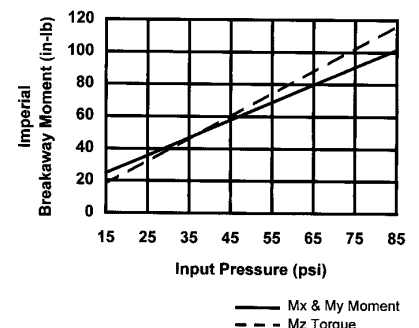
- Design** ..... Non-resistive compliancy upon impact
- Rotation Range** ..... 360° unlimited torsional rotation
- Torque** (Continuously Variable)
  - Max. Breakaway Mom.  $M_x$  .. 104 in-lb
  - Max. Breakaway Mom.  $M_y$  .. 104 in-lb
  - Max. Breakaway Mom.  $M_z$  .. 104 in-lb
  - Min/Max Breakaway Compressive C ..... 33/195 lb
- Avg. Response Time** ... 2 - 6 ms
- Pressure Range**
  - Low ..... 14 psi
  - High ..... 90 psi
- Temperature Range**
  - Low ..... -32° F
  - High ..... 158° F
- Repeatability**
  - X and Y.....  $\pm 0.001$  in
  - Z .....  $\pm 0.0005$  in
  - Rotational .....  $\pm 0.024^\circ$
- Compliance Angle** (x,y) .....  $\pm 5^\circ$
- Axial Compliance (Z+)** ..  $\pm 0.169$  in
- Switch Description** ..... 3 amps; 24 VDC; High-reliability aircraft snap acting type
- Material** ..... High-strength; Hard-coated aluminum alloys; Stainless Steel
- Weight** ..... .65 lb

**NOTE: Dimensions are metric.**

### LOADING INFORMATION



### BREAKAWAY MOMENT



**TO ORDER OR FOR MORE INFORMATION, PLEASE CALL (203) 459-8345, FAX (203) 452-5943  
VISIT OUR WEBSITE AT: WWW.AGI-AUTOMATION.COM**