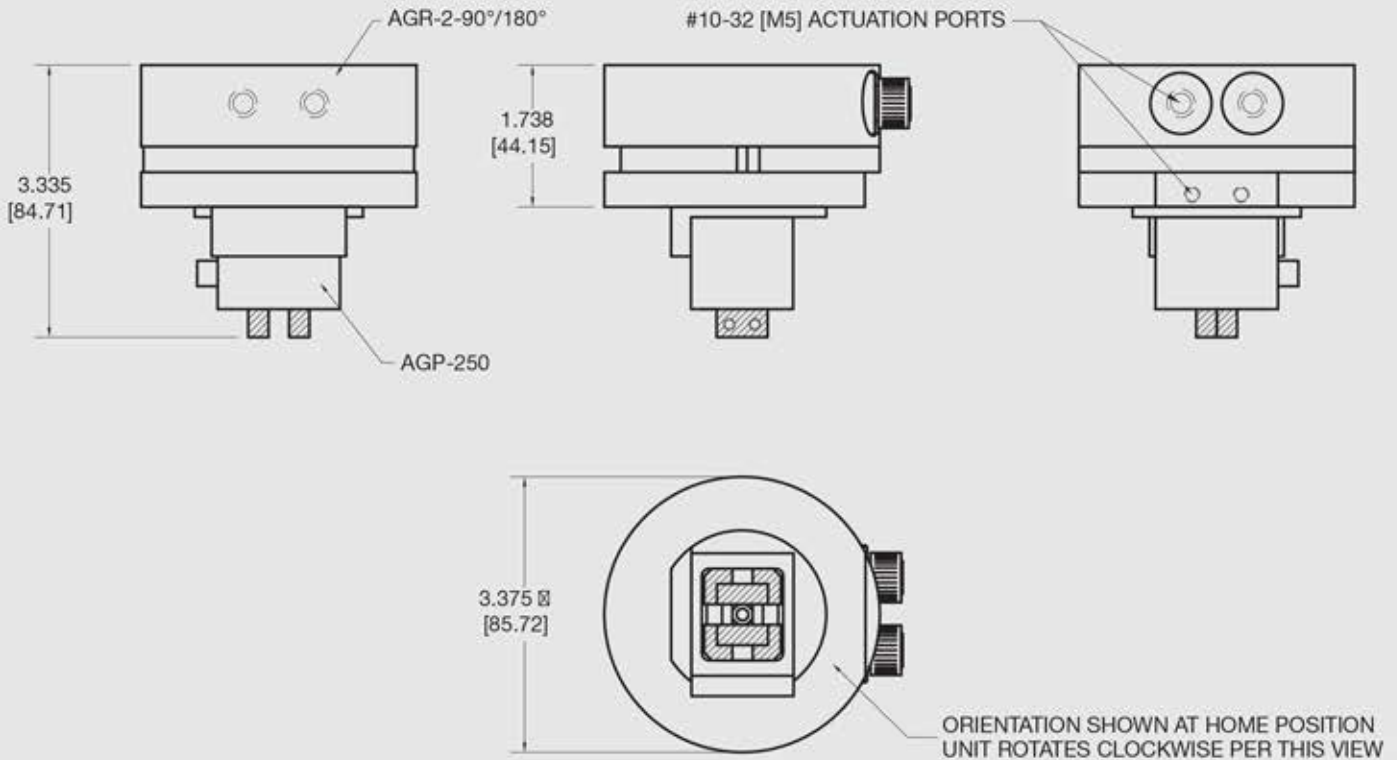


MODULE CALLOUTS

AGM-3 = AGR-2-90° + AGP-250

AGM-4 = AGR-2-180° + AGP-250



QUICK TECHNICALS

Payload Capacity of Rotary Assembly: = (1) AGP-250 Gripper + 44 oz.

Gripper: AGP-250
Stroke: 0.250 in.
Closing/Opening: 20/22 lbs/in²
Piston Bore: 1.000 in.

Rotary: AGR-2
Degree of Rotation: 90°/180°
Piston Bore: (2) x 0.750 in.

Assembly Weight w/o Payload: 22 oz.



Refer to catalog for individual product specifications